

The logo features a stylized red and olive green swoosh that curves from the top right towards the center, partially overlapping the text.

Workforce Information Database

Depend on it.

Database Structure Version 2.6

Release Date: December 19, 2014



Consortium members: Connecticut, Florida, Georgia, Illinois, Iowa, Maine, Massachusetts, Minnesota, Montana, Nebraska, Nevada, North Carolina, Oregon, South Carolina, Texas, Wisconsin, Wyoming, National Crosswalk Service Center and the Employment and Training Administration (ETA)

INTRODUCTION

The *Workforce Information Database (WID)* is a standardized database structure developed for the storage and dissemination of local, state, regional, and national workforce information on the economy, industry, labor supply and demand, and other aspects of and areas affected by, or that have an effect on our workforce. Population of the database is a core deliverable of the ETA State Workforce Information Grant and is carried out by the agency that has responsibility for collecting, preparing and disseminating the information within each state. The WID structure is continually updated to incorporate new data and adapt to new technology in order to accommodate the wide range of uses and users of this information. The change process is coordinated by the Analyst Resource Center Consortium which is funded by the U.S. Department of Labor, Employment and Training Administration (ETA). The Consortium is led by the state of Minnesota. Membership includes Connecticut, Florida, Georgia, Illinois, Iowa, Maine, Massachusetts, Minnesota, Montana, Nebraska, Nevada, North Carolina, Oregon, South Carolina, Texas, Wisconsin, Wyoming, the National Crosswalk Service Center, and the ETA.

TABLE LAYOUTS

The table layouts for the Workforce Information Database tables are presented in this document. They are organized into four types: lookup tables, data tables, crosswalks, and administrative or application developers' tables. There is also a section of standard field values. The lookup tables contain relatively constant data that pertains mainly to descriptive data associated with classification codes. The data tables contain information about employment, wages, income, layoffs, industries, occupations, employers, education and training completers, educational programs, population demographics, selected economic indicators, and other data. These tables are intended to contain information that is maintained on a regular basis by each state. The crosswalk tables are a subset of the lookup tables representing the relationships between various classification codes. The administrative tables are tables used by the database administrator to record database management activities. This section also contains the all-codes tables used for industry codes and occupation/training codes (see below). The field values tables present standard values assigned to fields in the respective tables that are to be used in populating the database.

CHANGES MADE FROM PRIOR VERSIONS

Appendix D lists the changes made to the Workforce Information Database from version 2.5 to version 2.6.

HOW TO READ A TABLE DEFINITION

Each table definition contains complete information about the structure of a table. Each definition includes: the name of the table, a complete list of each column name and data type, complete constraint information, and short descriptions of the columns. The following illustration identifies each component of a table definition.

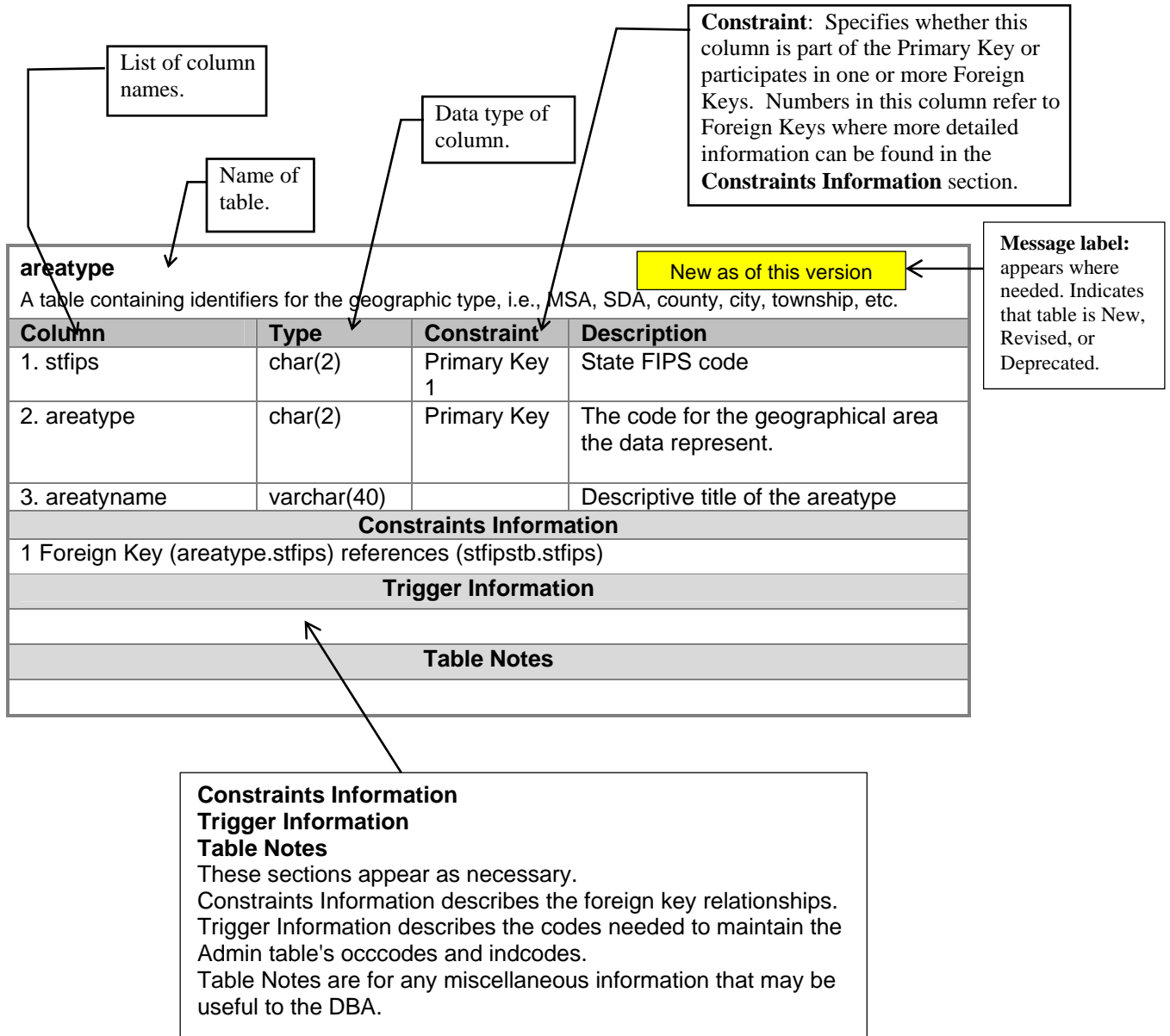


TABLE CONSTRAINTS AND TRIGGERS

The Constraint section of each table definition identifies all Primary Keys and Foreign Keys for the table. The constraints for a table specify rules for data that will be stored in that table. These rules exist in the form of either Primary Keys or Foreign Keys. The definitions of these terms appear below:

Primary Key: The *Primary Key* is a column or group of columns that shall always be (1) non-null and (2) unique. Only one primary key exists for each table. A Primary Key constraint is enforced on a table so that each row in the table can be uniquely identified.

Foreign Key: A *Foreign Key* is a column or group of columns where each value or group of values exists as a Primary Key in another table. Foreign Key constraints are used so that data for a column or group of columns can be validated against another table containing a list of valid values for that column or group of columns.

Throughout the table definitions, Primary Keys and Foreign Keys are used wherever possible to achieve the greatest level of data quality. For example, in the table *ces*, there is a column called *seriescode*. By specifying a Foreign Key constraint on the *seriescode* column referencing the table *cescode*, no row in the *ces* table will ever contain a value for *seriescode* that does not already exist in the table *cescode*. This protects the *ces* table from ever containing invalid *seriescode* values.


The information stored in the Workforce Information Database contains many different classification systems for occupations (DOT, SOC, OES, ONET, etc.), industries (NAICS and SIC) and training programs (various releases of CIP). The states may choose which classification system they are going to use. Some states may choose to classify occupations with ONET codes while other states may use SOC codes. Some states store data making use of several different classifications and some states are in the process of converting from one classification system to another thus needing to store data for both classifications.

Since its inception, the Workforce Information Database has provided a means for specifying more than one type of classification system in some of the data tables. For example, the *progcomp* table has a *code* field in which several different types of occupational codes (DOT, OES, SOC, etc.) can be used. The *progcomp* table's *codetype* field defines the type of code being used in a particular record. These *multi-code fields* provide flexibility in classifying the data, but can cause problems with data integrity.

All relational database systems require Foreign Keys to be a set of fixed conditions, with the data field having the same length as the Primary Key of the lookup table it references. Each Foreign Key constraint must reference only **one** lookup table. This restriction presents a problem when trying to set Foreign Key constraints on the multi-code fields in some of the Workforce Information tables. Since the length of the classification codes can vary (4 – 10 characters) and the lookup table to be referenced must be determined by the code-type, Foreign Key constraints cannot be set directly between the multi-code field and the lookup table that needs to be referenced.

In order to provide a means of enforcing Foreign Key constraints on the multi-code fields, two administrative tables were added to the Workforce Information Database. They are the *indcodes* and *occcodes* tables. The *indcodes* table is designed to contain the code-type and code of all the industry classifications a state may be using. The *occcodes* table is designed to contain all of the occupation and training classifications a state may be using. Each of these tables also contains the title associated with the classification code so these multi-code tables can also be used for application development.

Maintenance of the multi-code tables – *indcodes* and *occcodes* – can present additional effort and responsibility for the Workforce Information Database Administrators. In order to minimize the efforts of the DBA, triggers have been identified as a means to maintain the multi-code tables that can be used universally. A **trigger** is a special kind of stored procedure that goes into effect when you modify data in a specified table using one of the data modification operations – UPDATE, INSERT, or DELETE. Triggers can query other tables and can include complex SQL statements. Triggers in the Workforce Information Database are used specifically to maintain the referential integrity of the multi-code tables with any changes that are made to the lookup tables. The advantage of using triggers is they are automatic on all logged operations. They are activated immediately after any modification to the table’s data. Triggers are supported by most enterprise-level database systems.

Triggers should be added to each of the lookup tables that need to be represented in the multi-code tables. For example, the *soccode* table will have a trigger that executes whenever it is updated and it will automatically update the *occcodes* table with the code and title changes made to the *oescode* table. Likewise, the *naiccode* table will have triggers that will update the *indcodes* table with the code and title changes made to the *naiccode* tables. **Lookup tables that should have triggers are identified in the Tables sections and in the Load Order Document, Appendix A, with the  icon.**

A third administrative table – *statelst* – was added to support the trigger functionality. It will allow any state to use the sample triggers as-is without the need to customize for the stfips code. This functionality also applies to states that may store more than one states data in their database. The sample triggers will be available from the National Crosswalk Service Center website (<http://www.xwalkcenter.org>) and the Analyst Resource Center website (<http://www.workforceinfodb.org>).

A Word About Data Type Descriptions...

One goal for the Workforce Information Database is to be both database and operating system independent. However, some conventions must be used for describing the database, and the field types used in this document generally are those used by MS SQL Server. Depending on the database management system being used, there may be differences in the way data types are defined/interpreted. For example, Database administrators who use PC-based database management systems, particularly MS Access, must adapt the structures found here to their database software. For these systems, two field types are involved: long text fields (varchar(MAX)) and numeric fields with decimals (numeric(3,1)). Adjustments to the variable descriptions used in this document for MS Access follow:

MS Access: MS Access uses memo fields for long text (through Access 2010; called "long text" in Access 2013). The length of an Access memo field is limited to 64,000 characters; a long text field is approximately 1 GB. Numeric fields with decimal places are defined as either single or double precision. In either case, the user can control the number of decimal places, but the length of the field is predetermined by the variable type. Single precision should be adequate for the variables in the Workforce Information Database.

Use of VARCHAR(MAX)

In order to accommodate some of the large descriptor fields in the Workforce Information Database, ARC recommends using data type varchar(MAX) for the descriptor fields specified in this structure document. If your system does not support data type varchar(MAX), then use the largest varchar size your DBMS and/or organization allows.

Workforce Information Database Administrators need to be aware of the fact that data type variations may exist depending on the system being used and they will need to adapt this structure for their particular database management system.

Deprecation (*Outdated; use strongly discouraged.*) of tables

The Structure Committee of the Analyst Resource Center (ARC) periodically makes changes to tables in the Workforce Information Database (WID) in order to update, accommodate, and adapt the database for new technologies, users, and uses. In the effort to continually advance the database structure and not cause undue personnel and budget strains on our customers, "Deprecation" was chosen as the method to eliminate outdated features. The structure committee will identify tables and features to be deprecated along with their recommended alternatives.

While deprecated tables and features will continue to be supported for some time, thereby insuring backward compatibility, they should be avoided in any new development efforts and replaced in existing software as time and budgets allow.

See Appendix C for a list of the currently deprecated tables.

Workforce Information Database version 2.6

WID tables - Listed by Type

Look-up Tables

addresty	1
agegroup	1
annslflg	1
annslrng	1
areatype	1
bedtypes	2
benefit	2
benchmark	2
careerclust	2
careerpaths	2
cenind	3
cenind2000	3
cens2000	3
censcode	3
cescode	4
cidscode	4
cip2000	4
cipcode	5
classtime	5
cluscode	5
clusgrad	6
compltyp	6
contactpro	6
contacttitle	6
cpisource	6
cpitype	7
creditcd	7
disabil	7
disadvan	7
dislocat	7
dotcode	8
dwvertyp	8
education	8
edulevel	8
eeo1cat	9

Look-up Tables

eeostloc	9
empszflg	9
empszrng	9
eventtyp	9
experience	9
explevel	10
gender	10
geocode	10
geog	10
growcode	10
incomtyp	11
incsourc	11
inndir	11
inndiv	11
indsub	12
indtypes	12
instown	12
insttype	12
iospecialid	13
itemcpi	13
jobfamily	13
laytitle	13
lengthopen	14
lentype	14
leveltyp	14
licnumty	14
locstat	14
meeicode	15
mlssepct	15
mlssepcd	15
mlssepctype	15
moccode	16
mpc	16
naiccode	16
naicdom	17

Workforce Information Database version 2.6

WID tables - Listed by Type

Look-up Tables

naicsect	17
naicslvl	17
naicsupr	17
occdir	18
occssub	18
occtypes	18
oescode	19
oesgroup	19
oeslaytl	19
oestrntm	20
onetcode	20
oohtrntm	20
ownership	20
paytype	21
period	21
periodid	21
periodty	21
popsouce	22
prvgovst	22
qwisup	22
qwitype	22
raceethn	22
ratetype	22
salestyp	23
schgrade	23
seasonal	23
siccode	24
sicdiv	24
siclevel	24
sizeclas	25
soc2000	25
soccode	26
stattype	26
stfipstb	26
stockexch	27

Look-up Tables

stprogcd	27
subgeog	28
svc	28
taxtype	28
training	28
unittype	29
urltopic	29
vetcode	29
wgsource	29
worksite	29

Data Tables

analysis	30
bed	31
blding	32
cenlabor	32
cenlabor2000	33
ces	34
commute	35
cpi	36
cpiplus	37
demographics	38
develop	43
eeolabfac	44
eeolabfor	45
eeoocc	46
eeopop	47
empdb	48
esapplic1	51
esapplic2	52
esdata	53
income	54
indprj	55
indsum	56
industry	57

Workforce Information Database version 2.6

WID tables - Listed by Type

Data Tables

iomatrix	58
jvs	60
jvsaddit	61
labforce	62
licauth	63
license	64
lichist	64
mls	65
mlsclaim	67
mlsevent	68
occprj	70
oeswage	71
payment	73
populatn	73
progcomp	74
programs	75
propval	76
qwichar	77
qwidata	78
sales	78
schools	79
stfirms	80
stindprj	81
stoccpj	82
supply	83
tax	84
uiclaims	85
url	86
urllinks	86
wage	87
workstop	88

Crosswalk Tables

cidsxcip	89
clsxproj	89

Crosswalk Tables

clsxsupl	90
clusxcip	91
clusxpath	91
clusxsoc	91
dotxcip	92
dotxcip2000	92
dotxonet	92
eeo1xcens	92
eeo1xcens2k	93
eeosxcens	93
eeosxcens2k	93
laytxocc	94
licxocc	94
matxnaic	95
matxoes	95
matxsic	96
matxsoc	96
matxsoc2000	97
mocxsoc	97
oesxcens	98
oesxcens2k	98
oesxcids	98
oesxcip	98
oesxcip2000	99
oesxdot	99
oesxjob	99
oesxonet	99
oesxsoc	100
oesxsoc2000	100
sicxnaic	100
soc2000xdot	100
soc2000xjob	101
soc2kxcens2k	101
socxcens	101
socxcids	102

Workforce Information Database version 2.6

WID tables - Listed by Type

Crosswalk Tables

socxcip	102
socxdot	102
socxjob	103
socxonet	103

Administrative Tables

datasess	104
empdbinf	104
indcodes	104
maplist	105
occcodes	105
sesstabl	106
source	106
statelst	106
tabllist	106
tablsrce	107

Look-up Tables

addresty			
This table contains address type codes used in sfirms.			
Field Name	Type	Constraint	Description
1. addresty	char(1)	Primary Key	Code for the address type used for the following fields in the St firms or Empdb table: addresty, addresty1 or addresty2 or addresty3
2. addresdesc	varchar(60)		Description of the address type

agegroup			
A table containing codes for identifying age categories.			
Field Name	Type	Constraint	Description
1. stfips	char(2)	Primary Key, 1	State FIPS code.
2. agegroup	char(2)	Primary Key	Code identifying the age group.
3. agegrpdesc	char(20)		Age group description.
Constraint Information			
1. Foreign Key (agegroup.stfips) references (stfipstb.stfips)			

annslflg			
This table contains the annual sales codes used in the empdb table.			
Field Name	Type	Constraint	Description
1. annsalflg	char(1)	Primary Key	Annual sales code.
2. annsdesc	varchar(40)		Description of the annual sales code.

annslrng			
A table of annual sales value ranges for the employers in the empdb table.			
Field Name	Type	Constraint	Description
1. annsalrang	char(2)	Primary Key	Code for the annual sales range.
2. salrngdesc	varchar(20)		Description of the sales range code.

areatype			
A table containing identifiers for the geographic type, eg. MSA, SDA, county, city, township, etc.			
Field Name	Type	Constraint	Description
1. stfips	char(2)	Primary Key, 1	State FIPS code.
2. areatype	char(2)	Primary Key	Code describing type of geographic area: e.g. county, service delivery area, MSA.
3. areatname	varchar(40)		Descriptive title of the areatype.
Constraint Information			
1. Foreign Key (areatype.stfips) references (stfipstb.stfips)			

bedtypes

A table of business employment dynamics data types.

Field Name	Type	Constraint	Description
1. bedtypcode	char(1)	Primary Key	Indicator of the type of data.
2. bedtypdesc	varchar(60)		Description of the BED data type.

benefit

Contains codes used for identifying benefit categories.

Field Name	Type	Constraint	Description
1. stfips	char(2)	Primary Key, 1	State FIPS Code.
2. benefit	char(1)	Primary Key	Code indicating type of benefit.
3. benedesc	varchar(40)		Descriptive title of the benefit.

Constraint Information

1. Foreign Key (benefit.stfips) references (stfipstb.stfips)

benchmark

This table contains the benchmark years.

Field Name	Type	Constraint	Description
1. benchmark	char(4)	Primary Key	Benchmark year used in the labforce and ces tables.
2. benchdesc	varchar(60)		Benchmark year description.

careerclust

New Table as of v2.6

This table contains a listing of the Department of Education Career Clusters.

Field Name	Type	Constraint	Description
1. clustercode	char(2)	Primary Key	Career Cluster code
2. clustertitle	varchar(80)		Title of the Career Cluster
3. clusterdesc	varchar(MAX)		Description of the Career Cluster

careerpaths

New Table as of v2.6

A table of the Department of Education Career Pathways.

Field Name	Type	Constraint	Description
1. pathcode	char(4)	Primary Key	Career Pathway code
2. pathtitle	varchar(115)		Title of the Career Pathway

**cenind**

A table of the current series Census industry codes.

Field Name	Type	Constraint	Description
1. cenind	char(4)	Primary Key	A 4-digit code assigned to the Census industry title.
2. centitle	varchar(40)		The industry title used by the Census Bureau to classify industry data.

Trigger Information

Use triggers on INSERT, UPDATE or DELETE of cenind to maintain indcodes. (statelst.stfips, '18', cenind.cenind, cenind.centitle) maintains (indcodes.stfips, indcodes.codetype, indcodes.code, indcodes.codetitle) NOTE: Use codetype '18' for the indcodes record if Census Industry Classification is the 2010 series, else continue to use codetype '17'.

**cenind2000**

A table of the 2000 series Census industry codes.

Field Name	Type	Constraint	Description
1. cenind	char(4)	Primary Key	A 4-digit code assigned to the Census industry title.
2. centitle	varchar(40)		The industry title used by the Census Bureau to classify industry data.

Trigger Information

Use triggers on INSERT, UPDATE or DELETE of cenind2000 to maintain indcodes. (statelst.stfips, '17', cenind2000.cenind, cenind2000.centitle) maintains (indcodes.stfips, indcodes.codetype, indcodes.code, indcodes.codetitle)

**cens2000**

A table of the 2000 series Census occupation codes.

Field Name	Type	Constraint	Description
1. censcode	char(4)	Primary Key	A 4-digit code assigned to the Census occupational title.
2. censtitle	varchar(60)		The occupational title used by the Census Bureau to classify occupational data.

Trigger Information

Use triggers on INSERT, UPDATE or DELETE of cens2000 to maintain occcodes. (statelst.stfips, '06', cens2000.censcode, cens2000.censtitle) maintains (occcodes.stfips, occcodes.codetype, occcodes.code, occcodes.codetitle)

**censcode**


A table of the current series Census occupation codes.


Field Name	Type	Constraint	Description
1. censcode	char(4)	Primary Key	A 4-digit code assigned to the Census industry title.
2. censtitle	varchar(60)		The occupational title used by the Census Bureau to classify occupational data.

Trigger Information

Use triggers on INSERT, UPDATE or DELETE of censcode to maintain occcodes. (statelst.stfips, '16', censcode.censcode, censcode.censtitle) maintains (occcodes.stfips, occcodes.codetype, occcodes.code, occcodes.codetitle) NOTE: Use codetype '16' for the occcodes record if Census Occupation Classification is the 2010 series, else continue to use codetype '06'.

cescode			
The table of Current Employment Statistics codes.			
Field Name	Type	Constraint	Description
1. stfips	char(2)	Primary Key, 1	State FIPS Code.
2. seriescode	char(8)	Primary Key	Industry Series Code
3. seriesdesc	varchar(MAX)		Description of the industries comprising the series.
4. seriesttls	varchar(60)		Short title used to identify industry division.
5. seriesttll	varchar(120)		Long title used to describe industry division.
6. serieslvl	char(1)		Optional report indentation level.
Constraint Information			
1. Foreign Key (cescode.stfips) references (stfipstb.stfips)			

cidscodes			
The table of Career Information Delivery System codes. 			
Field Name	Type	Constraint	Description
1. cidscodes	char(9)	Primary Key	A 9-digit code assigned to the Career Information Delivery System occupational title.
2. cidstitle	varchar(40)		Title of CIDS system occupation or program.
3. cidscodesdesc	varchar(MAX)		Description of CIDS system occupation or program.
Trigger Information			
Use triggers on INSERT, UPDATE or DELETE of cidscodes to maintain occcodes. (statelst.stfips, '07', cidscodes.cidscodes, cidscodes.cidstitle) maintains (occcodes.stfips, occcodes.codetype, occcodes.code, occcodes.codetitle)			

cip2000			
A table of the 2000 Classification of Instructional Programs (CIP) codes, including 2, 4 and 6-digit codes. 			
Field Name	Type	Constraint	Description
1. cipcode	char(10)	Primary Key	A 10-digit code assigned to a 2000 Classification of Instructional Programs (CIP) program title.
2. ciptitle	varchar(100)		The instructional program title used to organize training related data, i.e., enrollments, completers, placement.
3. cipdesc	varchar(MAX)		A definition of the curriculum included in an instructional program.
4. ciptitles	varchar(35)		A short version of the CIP title used for screen display.
5. ciplevel	char(1)		Indicator of the hierarchical level of the CIP code.
Trigger Information			
Use triggers on INSERT, UPDATE or DELETE of cip2000 to maintain occcodes. (statelst.stfips, '03', cip2000.cipcode, cip2000.ciptitle) maintains (occcodes.stfips, occcodes.codetype, occcodes.code, occcodes.codetitle)			

**cipcode**

A table of the current Classification of Instructional Programs (CIP) codes, including 2, 4 and 6-digit codes.

Field Name	Type	Constraint	Description
1. cipcode	char(10)	Primary Key	A 10-digit code assigned to a Classification of Instructional Programs (CIP) program title.
2. ciptitle	varchar(100)		The instructional program title used to organize training related data, i.e., enrollments, completers, placement.
3. cipdesc	varchar(MAX)		A definition of the curriculum included in an instructional program.
4. ciptitls	varchar(35)		A short version of the CIP title used for screen display.
5. ciplevel	char(1)		Indicator of the hierarchical level of the CIP code.

Trigger Information

Use triggers on INSERT, UPDATE or DELETE of cipcode to maintain occcodes.(statelst.stfips, '15', cipcode.cipcode, cipcode.ciptitle) maintains (occcodes.stfips, occcodes.codetype, occcodes.code, occcodes.codetitle) NOTE: Use codetype '15' for the occcodes record if the Classification of Instructional Programs is the 2010 series, else continue to use codetype '03'.

classtime

The table of class time codes.

Field Name	Type	Constraint	Description
1. classtime	char(1)	Primary Key	Class time code.
2. classtimetitle	varchar(40)		Description or title of the class time.

**cluscode**

The table of cluster (or unit of analysis) codes used in the state.

Field Name	Type	Constraint	Description
1. stfips	char(2)	Primary Key, 1	StateFIPS Code.
2. cluscode	char(10)	Primary Key	Code assigned to the cluster from the State Units of Analysis.
3. clustitle	varchar(60)		Title assigned to the cluster from the State Units of Analysis.
4. clusdesc	varchar(MAX)		A free form text column intended to contain descriptive data regarding this cluster in this state.

Constraint Information

1. Foreign Key (cluscode.stfips) references (stfipstb.stfips)

Trigger Information

Use triggers on INSERT, UPDATE or DELETE of cluscode to maintain occcodes. (cluscode.stfips, '01', cluscode.cluscode, cluscode.clustitle) maintains (occcodes.stfips, occcodes.codetype, occcodes.code, occcodes.codetitle)

clusgrad			
The table of Cluster evaluative rating codes.			
Field Name	Type	Constraint	Description
1. stfips	char(2)	Primary Key, 1	State FIPS Code.
2. clusgrade	char(1)	Primary Key	An evaluative rating code for the cluster.
3. clusgrdesc	varchar(40)		Description or title of the cluster rating.
Constraint Information			
1. Foreign Key (clusgrad.stfips) references (stfipstb.stfips)			

comptyp			
The table of program completer types, by state.			
Field Name	Type	Constraint	Description
1. stfips	char(2)	Primary Key, 1	State FIPS Code.
2. comptype	char(2)	Primary Key	A 2-digit code representing type of program completer.
3. compltitle	varchar(40)		Title of type of program completer.
4. compldesc	varchar(MAX)		Description of type of program completer.
Constraint Information			
1. Foreign Key (comptyp.stfips) references (stfipstb.stfips)			

contactpro			
The table of contact professional titles.			
Field Name	Type	Constraint	Description
1. contactprotile	char(3)	Primary Key	Contact's professional title.
2. contactprodesc	varchar(35)		Description of the contact's professional title.

contacttitle			
The table of the contact title codes.			
Field Name	Type	Constraint	Description
1. contacttitlecode	char(1)	Primary Key	Contact title code.
2. contacttitledesc	varchar(35)		Contact's descriptive title.

cpisource			
Table of codes for the source of Consumer Price Index data.			
Field Name	Type	Constraint	Description
1. stfips	char(2)	Primary Key, 1	State FIPS Code.
2. cpisource	char(1)	Primary Key	Source code for cpi data.
3. cpisrcdesc	varchar(40)		Description of cpi source.
Constraint Information			
1. Foreign Key (cpisource.stfips) references (stfipstb.stfips)			

cpitype			
The table of Consumer Price Index (CPI) types of measure.			
Field Name	Type	Constraint	Description
1. stfips	char(2)	Primary Key, 1	State FIPS Code.
2. cpitype	char(2)	Primary Key	A 2-digit code assigned to the type of CPI measure.
3. cpititle	varchar(55)		Title of the CPI measure.
4. cpidesc	varchar(200)		Description of the CPI measure.
Constraint Information			
1. Foreign Key (cpitype.stfips) references (stfipstb.stfips)			

creditcd			
The table of credit codes, used in the empdb table.			
Field Name	Type	Constraint	Description
1. creditcd	char(1)	Primary Key	Credit code
2. creditdesc	varchar(MAX)		Description of types of credit codes.

disabil			
A table of codes for identifying those who are disabled.			
Field Name	Type	Constraint	Description
1. disabled	char(1)	Primary Key	Code indicating disabled applicants.
2. disabldesc	varchar(20)		Description of disability code.

disadvan			
A table of codes for identifying those who are economically disadvantaged.			
Field Name	Type	Constraint	Description
1. econdisadv	char(1)	Primary Key	Code indicating those who are economically disadvantaged.
2. econdisdesc	varchar(30)		Description of economically disadvantaged code.

dislocat			
A table of codes for identifying whether workers are dislocated workers.			
Field Name	Type	Constraint	Description
1. dislocated	char(1)	Primary Key	Code indicating dislocated workers.
2. dislocdesc	varchar(20)		Description of dislocated worker code.

dotcode		DEPRECATED as of v2.6	
The table of the 1991 version of Dictionary of Occupational Titles codes.			
Field Name	Type	Constraint	Description
1. dotcode	char(9)	Primary Key	A 9-digit code assigned to the Dictionary of Occupational Titles (DOT) occupational title.
2. dottitle	varchar(75)		Title used to classify occupation in the Dictionary of Occupational Titles.
3. gedr	char(1)		A 1-digit code ranging from 1 to 6 assigned to the level of General Educational Development for Reasoning required for the occupation.
4. gedm	char(1)		A 1-digit code ranging from 1 to 6 assigned to the level of General Educational Development for Math required for the occupation.
5. gedl	char(1)		A 1-digit code ranging from 1 to 6 assigned to the level of General Educational Development for Language required for the occupation.
6. svp	char(1)		Level of Specific Vocational Preparation required for the occupation.
Trigger Information			
Use triggers on INSERT, UPDATE or DELETE of dotcode to maintain occcodes. (statlst.stfips, '04', dotcode.dotcode, dotcode.dottitle) maintains (occcodes.stfips, occcodes.codetype, occcodes.code, occcodes.codetitle)			

dwvertyp			
The table of dislocated worker event types, used in mass layoff statistics.			
Field Name	Type	Constraint	Description
1. dwvertype	char(1)	Primary Key	Code for the type of dislocated worker event.
2. dwevetdesc	varchar(40)		Description or title of dislocate worker event.

education		New Table as of v2.6	
Table of BLS education categories.			
Field Name	Type	Constraint	Description
1. educat	char(1)	Primary Key	Code assigned to the education category by BLS
2. educatdesc	varchar(35)		Description of the education category

edulevel			
A table containing codes for identifying education levels.			
Field Name	Type	Constraint	Description
1. stfips	char(2)	Primary Key, 1	State FIPS Code.
2. edulevel	char(1)	Primary Key	Code indicating education level required.
3. edulvdesc	varchar(40)		Descriptive title of the education level.
Constraint Information			
1. Foreign Key (edulevel.stfips) references (stfipstb.stfips)			

eeo1cat		DEPRECATED as of v2.6	
A table of Equal Employment Opportunity (EEO) 1 category codes, primarily used by private industry.			
Field Name	Type	Constraint	Description
1. eeo1cat	char(2)	Primary Key	A 2-digit code assigned to EEO-1 Job Categories.
2. eeo1title	varchar(50)		Title of the EEO-1 Category.

eeostloc		DEPRECATED as of v2.6	
A table of Equal Employment Opportunity (EEO) State and Local category codes.			
Field Name	Type	Constraint	Description
1. eeostoc	char(2)	Primary Key	A 2-digit code assigned to EEO State and Local Job Categories.
2. eeostloct1	varchar(50)		Title of the EEO State and Local Category.

empszflg			
A table of employment size flag codes used in the empdb table.			
Field Name	Type	Constraint	Description
1. empszflg	char(1)	Primary Key	Code for the size flag
2. empflgdesc	varchar(40)		Description of the size flag.

empszrng			
A table of size range codes used in the empdb table.			
Field Name	Type	Constraint	Description
1. empszrng	char(2)	Primary Key	Code for the size range.
2. emprngdesc	varchar(40)		Description of the size range.

eventtyp			
The table of mass layoff event types, either federal or state events.			
Field Name	Type	Constraint	Description
1. eventtype	char(1)	Primary Key	Code for the type of event.
2. eventdesc	varchar(40)		Description or title of event.

experience		New Table as of v2.6	
Table of experience needed codes from BLS.			
Field Name	Type	Constraint	Description
1. expercat	char(1)	Primary Key	Code assigned to the work experience category by BLS
2. expercatdesc	varchar(20)		Description of the experience code

explevel			
A table containing identifiers for the experience level.			
Field Name	Type	Constraint	Description
1. stfips	char(2)	Primary Key, 1	State FIPS Code.
2. explevel	char(1)	Primary Key	Code identifying the experience level required.
3. explvdesc	varchar(40)		Descriptive title of the experience level.
Constraint Information			
1. Foreign Key (explevel.stfips) references (stfipstb.stfips)			

gender			
A table containing codes for identifying gender of UI Claimants.			
Field Name	Type	Constraint	Description
1. gender	char(1)	Primary Key	Gender code.
2. genderdesc	varchar(12)		Gender description.

geocode			
A table of the levels of precision possible for the geocode.			
Field Name	Type	Constraint	Description
1. geocode	char(1)	Primary Key	Code for the precision level of the geocode.
2. geopdesc	varchar(40)		Description of the precision geocode.

geog			
A table containing geographic area descriptor records.			
Field Name	Type	Constraint	Description
1. stfips	char(2)	Primary Key, 1	State FIPS code.
2. areatype	char(2)	Primary Key, 1	Code describing type of geographic area: e.g. county, service delivery area, MSA.
3. area	char(6)	Primary Key	A 6-digit code assigned to represent a geographic area. Front fill with zeroes.
4. areaname	varchar(60)		Geographic area name.
5. areadesc	varchar(MAX)		Narrative description of a geographic area.
Constraint Information			
1. Foreign Key (geog.stfips, geog.areatype) references (areatype.stfips, areatype.areatype)			

growcode			
A table of state-specific growth codes describing an industry or occupation.			
Field Name	Type	Constraint	Description
1. stfips	char(2)	Primary Key, 1	State FIPS Code.
2. growcode	char(2)	Primary Key	Code for the state specific growth descriptor.
3. growdesc	varchar(20)		Brief description interpreting the growth of the industry or occupation.
Constraint Information			
1. Foreign Key (growcode.stfips) references (stfipstb.stfips)			

incomtyp			
A table containing types of income measures.			
Field Name	Type	Constraint	Description
1. stfips	char(2)	Primary Key, 1, 2	State FIPS Code.
2. inctype	char(2)	Primary Key	Code for the type of income measure.
3. incsource	char(1)	Primary Key, 2	Source of the income measure.
4. incdesc	varchar(75)		Income measure description.
Constraint Information			
1. Foreign Key (incomtyp.stfips) references (stfipstb.stfips)			
2. Foreign Key (incomtyp.stfips, incomtyp.incsource) references (incsourc.stfips, incsourc.incsource)			

incsourc			
Codes for the source of income and population estimates for the income table.			
Field Name	Type	Constraint	Description
1. stfips	char(2)	Primary Key, 1	State FIPS Code.
2. incsource	char(1)	Primary Key	Source Code for income data.
3. incsrcdesc	varchar(40)		Description of income source.
Constraint Information			
1. Foreign Key (incsourc.stfips) references (stfipstb.stfips)			

inddir			
A table containing a directory of MicroMatrix level industry codes for which projections are performed.			
Field Name	Type	Constraint	Description
1. stfips	char(2)	Primary Key, 1, 2	State FIPS Code.
2. matincode	char(15)	Primary Key	Industry code from Micro Matrix.
3. periodid	char(2)	Primary Key, 1	A 2-digit code identifying the type of period used.
4. matincodty	char(1)		A code to identify matincode as SIC code based or NAICS code based. 1 = SIC based, 2 = NAICS based
5. matintitle	varchar(60)		Industry title.
6. subtot	char(1)	2	Sum level of the information
Constraint Information			
1. Foreign Key (indir.stfips, indir.periodid) references (periodid.stfips, periodid.periodid)			
2. Foreign Key (inddir.stfips, inddir.subtot) references (indsub.stfips, indsub.subtot)			

inddiv			
A table of the industry divisions.			
Field Name	Type	Constraint	Description
1. inddiv	char(3)	Primary Key	A code used to identify industry division. Differs from sicdiv code in that Manufacturing is divided into Durable and Nondurable goods, and trade is divided into Wholesale and Retail Trade.
2. indtitle	varchar(60)		Title used to identify the industry division.

indsub			
A table containing a lookup of industry sum level information.			
Field Name	Type	Constraint	Description
1. stfips	char(2)	Primary Key, 1	State FIPS Code.
2. subtot	char(1)	Primary Key	Sum level of the information.
3. subtotdesc	varchar(60)		Sum level description.
Constraint Information			
1. Foreign Key (indsub.stfips) references (stfipstb.stfips)			

indtypes			
The table of industry code types used throughout the WID database.			
Field Name	Type	Constraint	Description
1. codetype	char(2)	Primary Key	Code describing the type of industry classification code.
2. codetydesc	varchar(40)		Title of classification Code.

instown			
A table of training institution ownership codes and descriptions.			
Field Name	Type	Constraint	Description
1. instown	char(1)	Primary Key	Institution ownership code.
2. instowndes	varchar(40)		Description or title of training institution owner.

instype			
The table of institution types in a state.			
Field Name	Type	Constraint	Description
1. stfips	char(2)	Primary Key, 1	State FIPS Code
2. instype	char(2)	Primary Key	Identifies the type of training institution (WIA Provider, vocational center, community college, university).
3. insttydesc	varchar(50)		A description of the type of institution.
Constraint Information			
1. Foreign Key (instype.stfips) references (stfipstb.stfips)			

iospecialid			
A table for users to identify industries and occupations that are in special categories, e.g. Green jobs, high-tech. etc.			
Field Name	Type	Constraint	Description
1. stfips	char(2)	Primary Key, 1, 2	State FIPS code
2. indcodety	char(2)	Primary Key, 1	Code describing the industry code type.
3. indcode	char(6)	Primary Key, 1	A code used in the classification of establishments by type of activity in which they are engaged. For codes not 6 characters long, left justify and blank (ASCII 32) fill. Either SIC or NAICS code can be used.
4. occodetype	char(2)	Primary Key, 2	Code describing the type of occupational coding system
5. occcode	char(10)	Primary Key, 2	The occupational classification code used by the state for this data element. This code could be a DOT, OES, SOC, CENSUS, etc. For codes not 10 characters long, left justify and blank (ASCII 32) fill.
6. green	char(1)		0 = not green; 1 = green
7. pctgreen	numeric(9,3)		Percent that industry\occupation is deemed green.
Constraint Information			
1. Foreign Key (iospecialid.stfips, iospecialid.indcodty, iospecialid.indcode) references (indcodes.stfips, indcodes.codetype, indcodes.code)			
2. Foreign Key (iospecialid.stfips, iospecialid.occodetype, iospecialid.occcode) references (occcodes.stfips, occcodes.codetype, occcodes.code)			

itemcpi		New Table as of v2.6	
A table of market basket items included in the CPI.			
Field Name	Type	Constraint	Description
1. cpiitem	char(9)	Primary Key	Code for the items in the Index
2. itemdesc	varchar(100)		Description of the the items in the index (e.g., all items, food, energy, etc.)

jobfamily		DEPRECATED as of v2.6	
A table of job families used in the America's Job Bank Menu Search.			
Field Name	Type	Constraint	Description
1. jobfamily	char(2)	Primary Key	Job family code assigned to the America's Job Bank.
2. famtitle	varchar(60)		Job family title.
3. familydesc	varchar(MAX)		Description of job family.

laytitle			
A table of lay titles and codes.			
Field Name	Type	Constraint	Description
1. laylcode	char(5)	Primary Key	Lay title code
2. laytitle	varchar(130)		Lay title associated with an occupation.
Table Notes			
1: The value of laylcode is recalculated with each release of the lay title database. The code associated with any title may change from one release to the next.			

lengthopen			
A table containing codes for identifying length-open categories.			
Field Name	Type	Constraint	Description
1. stfips	char(2)	Primary Key	State FIPS Code.
2. lengthopen	char(1)		Code indicating range of how long vacancy has been open.
3. lodesc	varchar(40)		Length-open categories description.

lentype			
A table of training program lengths.			
Field Name	Type	Constraint	Description
1. stfips	char(2)	Primary Key, 1	State FIPS Code
2. lengthtype	char(2)	Primary Key	The identifying code assigned to the program length.
3. lentypdesc	varchar(40)		A description of the length of the assigned program length code.
Constraint Information			
1. Foreign Key (lentype.stfips) references (stfipstb.stfips)			

leveltyp			
A table of wage levels identified by an occupation (e.g. entry, apprentice, journeyman, experienced, etc.)			
Field Name	Type	Constraint	Description
1. stfips	char(2)	Primary Key, 1	State FIPS Code.
2. leveltype	char(1)	Primary Key	The code identifying the type of wage level.
3. lvldesc	varchar(40)		A description of the type of wage level.
Constraint Information			
1. Foreign Key (leveltyp.stfips) references (stfipstb.stfips)			

licnumty			
The table of type codes used in the lichist table.			
Field Name	Type	Constraint	Description
1. licnumtype	char(2)	Primary Key	Code for the type of statistic.
2. licnumdesc	varchar(50)		Description of the type of statistic.

locstat			
The table of location status code types used in the empdb table.			
Field Name	Type	Constraint	Description
1. locstat	char(1)	Primary Key	Code for the location status.
2. locstdesc	varchar(40)		Description of the location status.

meeicode			
The table of multi-establishment indicator codes from QCEW.			
Field Name	Type	Constraint	Description
1. meeicode	char(1)	Primary Key	The MEEI code.
2. meeidesc	varchar(40)		Description or title of the MEEI code.


mlssepct			
A table of higher-level categories for MLS separation codes.			
Field Name	Type	Constraint	Description
1. mlssepctcategory	char(4)	Primary Key	Business reason category for the MLS separation codes.
2. mlssepctatdesc	varchar(50)		Description of the business reason category.

mlssepccd			
The table of MLS separation codes.			
Field Name	Type	Constraint	Description
1. mlssepccodetype	char(2)	Primary Key, 1	Code indicating which series of separation codes the code belongs to.
2. mlssepccd	char(2)	Primary Key	The separation code used in the MLS tables for the following fields: prisepccd or secsepccd
3. mlssepccdesc	varchar(40)		Description or title of the separation code.
4. mlssepcccategory	char(4)	2	Business reason category for the MLS separation code.
Constraint Information			
1. Foreign Key (mlssepccd.mlssepccodetype) references (mlssepccdtype.mlssepccodetype)			
2. Foreign Key (mlssepccd.mlssepcccategory) references (mlssepct.mlssepccategory)			

mlssepccdtype			
Table of codes indicating the version of the MLS separation codes.			
Field Name	Type	Constraint	Description
1. mlssepccdtype	char(2)	Primary Key	MLS series code.
2. mlssepccdtypepdsc	varchar(50)		Description of the MLS code series.
3. mlssepccdtypeffdate	char(8)		Date that the MLS code series became effective. Format: yyyyymmdd.

mocode			
The table of the Military Occupational Codes.			
Field Name	Type	Constraint	Description
1. svc	char(1)	Primary Key, 1	Service Branch code.
2. mpc	char(1)	Primary Key, 2	Military Personnel Category code.
3. status	char(1)	Primary Key	Military Occupation Status: A=Active occupation; O=Obsolete occupation
4. mocode	char(10)	Primary Key	A 10-digit Military Occupational Code.
5. moctitle	varchar(170)		Title of MOC Code.
6. mocdesc	varchar(MAX)		Description of MOC Code.
Constraint Information			
1. Foreign Key (mocode.svc) references (svc.svc)			
2. Foreign Key (mocode.mpc) references (mpc.mpc)			

mpc			
A table for military personnel category codes.			
Field Name	Type	Constraint	Description
1. mpc	char(1)	Primary Key	Military Personnel Category code.
2. mpcdesc	varchar(70)		Description of the Military Personnel Category.

naiccode			
The table of North American Industry Classification System codes. 			
Field Name	Type	Constraint	Description
1. naicscode	char(6)	Primary Key	A code used in the North American Industry Classification System (NAICS).
2. naicstitle	varchar(45)		Title assigned to the NAICS code.
3. naicstitll	varchar(120)		The long title assigned to the NAICS code.
4. naicsdesc	varchar(MAX)		A narrative description of the activities performed by the establishment in this NAICS code.
5. naicslvl	char(1)	1	A code that indicates the hierarchical level of the NAICS industry code.
6. naicsect	char(2)	2	A code used to represent the NAICS industry sectors.
Constraint Information			
1. Foreign Key (naiccode.naicslvl) references (naicslvl.naicslvl)			
2. Foreign Key (naiccode.naicsect) references (naicsect.naicsect)			
Trigger Information			
Use triggers on INSERT, UPDATE or DELETE of naiccode to maintain indcodes. (statalst.stfips, '10', naiccode.naicscode, naiccode.naicstitle) maintains (indcodes.stfips, indcodes.codetype, indcodes.code, indcodes.codetitle)			

naicdom			
A table of NAICS Domains, aggregations of Supersectors as defined by BLS extensions of NAICS.			
Field Name	Type	Constraint	Description
1. naicdomain	char(3)	Primary Key	A code that represents a Domain in the BLS extensions to the North American Industry Classification System (NAICS).
2. domaintitl	varchar(25)		Title assigned to the Domain.

naicsect			
The table of North American Industry Classification System (NAICS) industry Sectors.			
Field Name	Type	Constraint	Description
1. naicsect	char(2)	Primary Key	A code used to represent the NAICS industry sectors.
2. sectdesc	varchar(45)		A short description of the NAICS industry sector.
3. sectdescl	varchar(120)		A long description of the NAICS industry sector.
4. naicsuper	char(4)	1	Code for a BLS defined NAICS Supersector.
Constraint Information			
1. Foreign Key (naicsect.naicsuper) references (naicsupr.naicsuper)			

naicslvl			
A table of the hierarchical level of the codes in the North American Industry Classification System (NAICS).			
Field Name	Type	Constraint	Description
1. naicslvl	char(1)	Primary Key	A code that indicates the hierarchical level of the NAICS industry code.
2. leveledesc	varchar(40)		A description of the hierarchical level of the NAICS industry code.

naicsupr			
The table of NAICS Supersectors, defined by BLS official extensions to NAICS.			
Field Name	Type	Constraint	Description
1. naicsuper	char(4)	Primary Key	A code used to represent a Supersector as defined in the official BLS extensions to the North American Industry Classification System (NAICS).
2. supertitle	varchar(35)		Title assigned to the Supersector.
3. naicdomain	char(3)	1	Code for a BLS defined NAICS Domain.
Constraint Information			
1. Foreign Key (naicsupr.naicdomain) references (naicdom.naicdomain)			

occdir			
A table of Micro Matrix occupation codes for which projections are performed.			
Field Name	Type	Constraint	Description
1. stfips	char(2)	Primary Key, 1, 2	State FIPS Code.
2. matocode	char(10)	Primary Key	Occupation code from Micro Matrix. For codes not 10 characters long, left justify and blank (ASCII 32) fill.
3. periodid	char(2)	Primary Key, 1	A 2-digit code identifying the type of period used.
4. matoccodty	char(1)		A code to identify matocode as 9 char and OES code based or 10 char and SOC code based. 1 = OES based, 2 = SOC based
5. matocctitl	varchar(60)		Occupation title.
6. subtot	char(1)	2	Sum level of the information
Constraint Information			
1. Foreign Key (occdir.stfips, occdir.periodid) references (periodid.stfips, periodid.periodid)			
2. Foreign Key (occdir.stfips, occdir.subtot) references (occssub.stfips, occsub.subtot)			

occssub			
A table of occupation summary level information.			
Field Name	Type	Constraint	Description
1. stfips	char(2)	Primary Key, 1	State FIPS Code.
2. subtot	char(1)	Primary Key	Sum level of the information.
3. subtotdesc	varchar(60)		Sum level description.
Constraint Information			
1. Foreign Key (occssub.stfips) references (stfipstb.stfips)			


occtypes			
The table of occupation and training code types used in the WID database.			
Field Name	Type	Constraint	Description
1. codetype	char(2)	Primary Key	Code describing the type of occupation or training classification code.
2. codetydesc	varchar(40)		Title of classification Code.

oescode		DEPRECATED as of v2.6	
The table of OES occupation codes contained in the OES Survey Dictionary.			
Field Name	Type	Constraint	Description
1. oescode	char(5)	Primary Key	A 5-digit code assigned to the Occupation Employment Statistics (OES) occupational title.
2. oestitle	varchar(60)		The occupational title used in the OES program to collect employment data.
3. oesdesc	varchar(MAX)		A narrative summary of the tasks and duties performed by workers classified in the occupation.
4. oestrntm	char(1)	1	A 1-digit code assigned to the OES preparation level.
5. oestitles	varchar(35)		Short OES title for screen display.
6. oohtrntm	char(1)	2	A code assigned to the category of education and/or training generally required to enter an occupation and for workers to develop the skills needed for average job performance in the occupation.
7. oesgroup1	varchar(3)	3	Specifies first level OES group.
8. oesgroup2	varchar(2)	3	Specifies second level OES group.
9. oesgroup3	varchar(2)	3	Specifies third level OES group.
Constraint Information			
1. Foreign Key (oescode.oestrntm) references (oestrntm.oestrntm)			
2. Foreign Key (oescode.oohtrntm) references (oohtrntm.oohtrntm)			
3. Foreign Key (oescode.oesgroup1, oescode.oesgroup2, oescode.oesgroup3) references (oesgroup.oesgroup1, oesgroup.oesgroup2, oesgroup.oesgroup3)			
Trigger Information			
Use triggers on INSERT, UPDATE or DELETE of oescode to maintain occcodes. (statelst.stfips, '02', oescode.oescode, oescode.oestitle) maintains (occcodes.stfips, occcodes.codetype, occcodes.code, occcodes.codetitle)			

oesgroup		DEPRECATED as of v2.6	
A table of OES groups, defined as a combination of three levels.			
Field Name	Type	Constraint	Description
1. oesgroup1	varchar(3)	Primary Key	First level OES group.
2. oesgroup2	varchar(2)	Primary Key	Second level OES group.
3. oesgroup3	varchar(2)	Primary Key	Third level OES group.
4. grpdesc	varchar(90)		Description of group.

oeslaytl		DEPRECATED as of v2.6	
A table of lay titles and the associated OES codes.			
Field Name	Type	Constraint	Description
1. oescode	char(5)	Primary Key, 1	A 5-digit code assigned to the Occupational Employment Statistics (OES) occupational title.
2. laytitle	varchar(80)	Primary Key	Lay title associated with an OES code.
Constraint Information			
1. Foreign Key (oeslaytl.oescode) references (oescode.oescode)			

oestrntm		DEPRECATED as of v2.6	
A table of OES Training Times - estimates of the typical preparation level required to enter the occupation.			
Field Name	Type	Constraint	Description
1. oestrntm	char(1)	Primary Key	A 1-digit code assigned to the OES preparation level.
2. oestmdesc	varchar(40)		Description of the specified preparation level.

onetcode			
The table of O*NET codes and their descriptions. 			
Field Name	Type	Constraint	Description
1. onetcode	char(8)	Primary Key	A 6 or 8-digit code* assigned to the Occupational Information Network (O*NET) occupational title. For codes not 8 characters long, left justify and blank (ASCII 32) fill.
2. onetyear	char(4)		O*NET code version year.
3. onetver	char(6)		O*NET code version id.
4. onettitle	varchar(115)		Title of O*NET Code.
5. onetdesc	varchar(MAX)		Description of the specified O*NET code.
Trigger Information			
Use triggers on INSERT, UPDATE or DELETE of onetcode to maintain occcodes. (statelst.stfips, '12', onetcode.onetcode, onetcode.onettitle) maintains (occcodes.stfips, occcodes.codetype, occcodes.code, occcodes.codetitle)			

oohtrntm			
The table of training required to enter an occupation or develop the skills needed for average job performance in the occupation.			
Field Name	Type	Constraint	Description
1. oohtrntm	char(1)	Primary Key	A code assigned to the category of education and/or training generally required to enter an occupation and for workers to develop the skills needed for average job performance in the occupation.
2. oohtrndesc	varchar(60)		A description of the training category.

ownership			
The table of codes for each type of ownership.			
Field Name	Type	Constraint	Description
1. stfips	char(2)	Primary Key, 1	State FIPS Code.
2. ownership	char(2)	Primary Key	A 2-digit indicator that identifies the employer by public or private ownership.
3. ownertitle	varchar(40)		Title of ownership.
4. ownerdesc	varchar(MAX)		Description of ownership.
Constraint Information			
1. Foreign Key (ownership.stfips) references (stfipstb.stfips)			

paytype			
A table of the types of government transfer payments received.			
Field Name	Type	Constraint	Description
1. stfips	char(2)	Primary Key, 1	State FIPS Code.
2. paytype	char(2)	Primary Key	A 2-digit code identifying the government payment type.
3. paytydesc	varchar(40)		A description of the type of government payment.
Constraint Information			
1. Foreign Key (paytype.stfips) references (stfipstb.stfips)			

period			
The table of time periods used in the WID.			
Field Name	Type	Constraint	Description
1. periodyear	char(4)	Primary Key	Character representation of calendar year (e.g. 2000).
2. periodtype	char(2)	Primary Key, 1	Code describing type of period (e.g. Annual, quarterly, monthly, etc.)
3. period	char(2)	Primary Key	Period code.
Constraint Information			
1. Foreign Key (period.periodtype) references (periodty.periodtype)			

periodid			
A table of periods of time used for projections, a 2-digit indicator for target year and base year.			
Field Name	Type	Constraint	Description
1. stfips	char(2)	Primary Key, 1	State FIPS code.
2. periodid	char(2)	Primary Key	A 2-digit code identifying the type of period being used.
3. periodtype	char(2)	2,3	Code describing type of period (e.g. Annual, quarterly, monthly, etc.)
4. estyear	char(4)	2	Base year of estimate.
5. estperiod	char(2)	2	Period of estimate.
6. projyear	char(4)	3	Year of projection.
7. projperiod	char(2)	3	Period of projection.
8. perioddesc	varchar(60)		Description of period range.
Constraint Information			
1. Foreign Key (periodid.stfips) references (stfipstb.stfips)			
2. Foreign Key (periodid. estyear, periodid. Periodtype, periodid. Estperiod) references (period.periodyear, period.periodtype, period.period)			
3. Foreign Key (periodid.projyear, periodid.periodtype, periodid.projperiod) references (period.periodyear, period.periodtype, period.period)			

periodty			
The table of types of time periods used (e.g. Annual, quarterly, hourly, etc.)			
Field Name	Type	Constraint	Description
1. periodtype	char(2)		Code describing type of period (e.g. Annual, quarterly, monthly, etc.)
2. pertydesc	varchar(40)		A description of the period type.

popsource			
A Table of the codes of the source of population estimates.			
Field Name	Type	Constraint	Description
1. stfips	char(2)	Primary Key, 1	State FIPS Code.
2. popsouce	char(1)	Primary Key	Source code for population data.
3. popsrcdesc	varchar(40)		Description of population source.
Constraint Information			
1. Foreign Key (popsourc.stfips) references (stfipstb.stfips)			

prvgovst			
A table of private/government status codes used in the empdb.			
Field Name	Type	Constraint	Description
1. privgovsta	char(1)	Primary Key	Code for the private/government status code.
2. prvgovdesc	varchar(15)		Description of the code.

qwisup			
A table containing quarterly workforce indicator (QWI) suppression code descriptions.			
Field Name	Type	Constraint	Description
1. qwisup	char(1)	Primary Key	Code for QWI suppression type
2. qwisupdesc	varchar(75)		Description of QWI suppression code

qwitype			
This table contains quarterly workforce indicator (QWI) code type descriptions.			
Field Name	Type	Constraint	Description
1. qwitype	char(2)	Primary Key	Code for the QWI type.
2. qwitypdsc	varchar(75)		Description of the QWI type

raceethn			
The table of codes that identify ethnicity and race of UI claimants and other groups.			
Field Name	Type	Constraint	Description
1. raceethn	char(5)	Primary Key	Race – ethnicity code.
2. racetitle	varchar(75)		Race – ethnicity description.
Table Notes			
1: See Appendix B for notes on the Race-Ethnicity codes.			

ratetype			
A table of wage rate types (e.g. hourly, weekly, monthly, annually).			
Field Name	Type	Constraint	Description
1. ratetype	char(1)	Primary Key	Code which identifies the type of wage rate.
2. ratetydesc	varchar(40)		A description of the type of wage rate.

salestyp			
A table of sales statistic types.			
Field Name	Type	Constraint	Description
1. stfips	char(2)	Primary Key, 1	State FIPS Code.
2. salestype	char(2)	Primary Key	A code that represents the sales type.
3. saletydesc	varchar(40)		A description of the sales type.
Constraint Information			
1. Foreign Key (salestyp.stfips) references (stfipstb.stfips)			

schgrade			
A table containing codes for identifying the highest school grade completed.			
Field Name	Type	Constraint	Description
1. stfips	char(2)	Primary Key, 1	State FIPS Code.
2. highestgrd	char(2)	Primary Key	Code identifying the highest school grade completed.
3. highgrdesc	varchar(35)		Description of highest school grade completed code.
Constraint Information			
1. Foreign Key (schgrade.stfips) references (stfipstb.stfips)			


seasonal			
A table containing codes for identifying those who are seasonal or migrant workers.			
Field Name	Type	Constraint	Description
1. seasonal	char(1)	Primary Key	Code indicating seasonal or migrant workers.
2. seasondesc	varchar(20)		Description of seasonal code.

siccode		DEPRECATED as of v2.6	
The table of 1987 Standard Industrial Classification (SIC) codes.			
Field Name	Type	Constraint	Description
1. siccode	char(4)	Primary Key	A code used in the classification of establishments by type of activity in which they are engaged. This field is left justified and padded with zeroes. A siccode of 9999 means non-classifiable; industry not specified.
2. sictitle	varchar(38)		The title assigned to a SIC code.
3. sictitlel	varchar(110)		The long title assigned to the SIC code.
4. sicdesc	varchar(MAX)		A narrative description of the activities performed by establishments classified in the SIC.
5. sicdiv	char(1)	1	The major industry division to which this code belongs.
6. siclevel	char(1)	2	A code that indicates the hierarchical level of the SIC code.
7. inddiv	char(3)	3	A code used to identify industry division. Differs from sicdiv code in that Manufacturing is divided into Durable and Nondurable goods, and trade is divided into Wholesale and Retail Trade.
Constraint Information			
1. Foreign Key (siccode.sicdiv) references (sicdiv.sicdiv) 2. Foreign Key (siccode.siclevel) references (siclevel.siclevel) 3. Foreign Key (siccode.inddiv) references (inddiv.inddiv)			
Trigger Information			
Use triggers on INSERT, UPDATE or DELETE of siccode to maintain indcodes. (statelst.stfips, '05', siccode.siccode, siccode.sictitle) maintains (indcodes.stfips, indcodes.codetype, indcodes.code, indcodes.codetitle)			

sicdiv		DEPRECATED as of v2.6	
A table of SIC major industry divisions (1987).			
Field Name	Type	Constraint	Description
1. sicdiv	char(1)	Primary Key	A code used to represent the major SIC division.
2. divdesc	varchar(40)		A narrative description of the Major SIC Division title.

siclevel		DEPRECATED as of v2.6	
A table of the hierarchical levels of the SIC codes.			
Field Name	Type	Constraint	Description
1. siclevel	char(1)	Primary Key	A code that indicates the hierarchical level of the SIC code.
2. leveldesc	varchar(40)		A description of the hierarchical level of the industry.

sizeclas			
A table of codes for the size of an establishment's workforce. First 10 codes are QCEW codes, the rest are for states' use.			
Field Name	Type	Constraint	Description
1. stfips	char(2)	Primary Key, 1	State FIPS Code.
2. sizeclass	char(2)	Primary Key	A 2-digit code identifying the size of the establishment's workforce.
3. sizedesc	varchar(40)		Description or title of sizeclass.
Constraint Information			
1. Foreign Key (sizeclas.stfips) references (stfipstb.stfips)			

soc2000			
The table of the 2000 Standard Occupational Classification (SOC) codes. 			
Field Name	Type	Constraint	Description
1. soccode	char(6)	Primary Key	A 6-digit code assigned to the SOC occupational title from the current SOC Classification System.
2. soctitle	varchar(50)		The title assigned to that SOC occupation.*Note: No standard short titles are currently available.
3. soctitlel	varchar(150)		The long title assigned to the SOC occupation.
4. socdesc	varchar(MAX)		A narrative description of the SOC occupational title.
5. oohtrntm	char(1)	1	A code assigned to the category of education and/or training generally required to enter an occupation and for workers to develop the skills needed for average job performance in the occupation.
6. oesflag	char(1)		Flag indicating whether the occupation is an OES-only occupation: 0 = SOC occupation; 1 = OES only occupation
7. socparent	char(6)	2	Parent SOC code to use for rollup.
Constraint Information			
1. Foreign Key (soccode.oohtrntm) references (oohtrntm.oohtrntm)			
2. Foreign Key (soccode.socparent) references (soccode.soccode)			
Trigger Information			
Use triggers on INSERT, UPDATE or DELETE of soc2000 to maintain occcodes.			

soccode

Revised as of v2.6



The table of the current Standard Occupational Classification (SOC) codes.

Field Name	Type	Constraint	Description
1. soccode	char(6)	Primary Key	A 6-digit code assigned to the SOC occupational title from the current SOC Classification System.
2. soctitle	varchar(50)		The title assigned to that SOC occupation.*Note: No standard short titles are currently available.
3. soctitlel	varchar(150)		The long title assigned to the SOC occupation.
4. socdesc	varchar(MAX)		A narrative description of the SOC occupational title.
5. education	char(1)	1	Typical education needed for entry into the occupation
6. experience	char(1)	2	Work experience in a related occupation
7. training	char(1)	3	On-the-job training needed to attain competency in the occupation
8. oesflag	char(1)		Flag indicating whether the occupation is an OES-only occupation: 0 = SOC occupation; 1 = OES only occupation
9. socparent	char(6)	4	Parent SOC code to use for rollup.

Constraint Information

1. Foreign Key (soccode.education) references (education.educat)
2. Foreign Key (soccode.experience) references (experience.expercat)
3. Foreign Key (soccode.training) references (training.trainingcat)
4. Foreign Key (soccode.socparent) references (soccode.soccode)

Trigger Information

Use triggers on INSERT, UPDATE or DELETE of soccode to maintain occcodes. (statelst.stfips, '14', soccode.soccode, soccode.soctitle) maintains (occcodes.stfips, occcodes.codetype, occcodes.code, occcodes.codetitle)

stattype

A table of types of statistical measurement.

Field Name	Type	Constraint	Description
1. stfips	char(2)	Primary Key, 1	State FIPS Code.
2. stattype	char(2)	Primary Key	A code that represents the statistical type.
3. stattydesc	varchar(50)		A description of the statistical type of measurement.

Constraint Information


1. Foreign Key (stattyp.stfips) references (stfipstb.stfips)

stfipstb

The table of State FIPS codes.

Field Name	Type	Constraint	Description
1. stfips	char(2)	Primary Key	State FIPS code.
2. stname	varchar(20)		State name.
3. abbrev	char(2)		The two letter State abbreviation.

stockexch			
A table of the stock exchange codes used in the empdb table.			
Field Name	Type	Constraint	Description
1. stockexchcode	char(1)	Primary Key	Stock Exchange code.
2. stockexchdesc	varchar(40)		Description of the stock exchange code.

stprogcd			Revised as of v2.6	
A table for State-specific training program codes.				
Field Name	Type	Constraint	Description	
1. stfips	char(2)	Primary Key, 1, 2	State FIPS Code	
2. codetype	char(2)	Primary Key, 2	A code describing the classification code.	
3. code	char(10)	Primary Key, 2	The classification code used by the state for this data element. This code could be DOT, OES, CIP, Cluster, SOC, Census, etc. For codes not 10 characters long, left justify and blank (ASCII 32) fill.	
4. title	varchar(60)		The program title represented by the code.	
5. cipcode	char(10)	3	A 10-digit code assigned to a Classification of Instructional Programs (CIP) program title.	
6. titledesc	varchar(MAX)		The program description.	
Constraint Information				
1. Foreign Key (stprogcd.stfips) references (stfipstb.stfips) 2. Foreign Key (stprogcd.stfips) references (occcodes.stfips) 2. Foreign Key (stprogcd.codetype) references (occcodes.codetype) 2. Foreign Key (stprogcd.code) references (occcodes.code) 3. Foreign Key (stprogcd.cipcode) references (cipcode.cipcode)				
Trigger Information				
Use triggers on INSERT, UPDATE or DELETE of stprogcd to maintain occcodes. (stprogcd.stfips, '09', stprogcd.code, stprogcd.title) maintains (occcodes.stfips, occcodes.codetype, occcodes.code, occcodes.codetitle)				

subgeog			
A table of substate geographic areas and the larger areas that contain the areas.			
Field Name	Type	Constraint	Description
1. stfips	char(2)	Primary Key, 1	State FIPS code.
2. areatype	char(2)	Primary Key, 1	Code describing type of geographic area: e.g. county, service delivery area, MSA.
3. area	char(6)	Primary Key, 1	A 6-digit code assigned to represent a geographic area. Front fill with zeroes.
4. substfips	char(2)	Primary Key, 2	A 2-digit code assigned to represent a substate FIPS code.
5. subareatyp	char(2)	Primary Key, 2	A 2-digit code assigned to represent the type of substate area.
6. subarea	char(6)	Primary Key, 2	A 6-digit code assigned to represent the name of the substate area.
Constraint Information			
1. Foreign Key (subgeog.stfips, subgeog.areatype, subgeog.area) references (geog.stfips, geog.areatype, geog.area)			
2. Foreign Key (subgeog.substfips, subgeog.subareatyp, subgeog.subarea) references (geog.stfips, geog.areatype, geog.area)			

svc			
A table of military service branch codes.			
Field Name	Type	Constraint	Description
1. svc	char(1)	Primary Key	Military service branch code.
2. svctitle	varchar(130)		Military service branch title.

taxtype			
A table of the types of tax collected by a state.			
Field Name	Type	Constraint	Description
1. stfips	char(2)	Primary Key, 1	State FIPS Code
2. taxtype	char(2)	Primary Key	A 2-digit code identifying the type of tax.
3. taxtypdesc	varchar(40)		A description of the tax.
Constraint Information			
1. Foreign Key (taxtype.stfips) references (stfips.stfips)			

training			
			New Table as of v2.6
A table of codes for the BLS training category for occupations.			
Field Name	Type	Constraint	Description
1. trainingcat	char(1)	Primary Key	Code assigned to the on-the-job training category by BLS
2. trainingdesc	varchar(35)		Description of the on-the-job category

unittype			
This table contains the building permit types, by state.			
Field Name	Type	Constraint	Description
1. stfips	char(2)	Primary Key, 1	State FIPS Code.
2. unittype	char(2)	Primary Key	Code for the type of building permit.
3. typedesc	varchar(40)		Description of building permit.
Constraint Information			
1. Foreign Key (unittype.stfips) references (stfipstb.stfips)			

urltopic		DEPRECATED as of v2.6	
A table of uniform resource locator topic categories.			
Field Name	Type	Constraint	Description
1. stfips	char(2)	Primary Key, 1	State FIPS Code.
2. urltopic	char(3)	Primary Key	Code for the type of uniform resource locator topic.
3. topicdesc	varchar(40)		Description of uniform resource locator topic.
Constraint Information			
1. Foreign Key (urltopic.stfips) references (stfipstb.stfips)			

vetcode			
A table of veteran type codes.			
Field Name	Type	Constraint	Description
1. veteran	char(1)	Primary Key	Code for veteran status of claimant.
2. vetdesc	varchar(60)		Description or title of veteran type.

wgsource			
A table of wage data sources.			
Field Name	Type	Constraint	Description
1. stfips	char(2)	Primary Key, 1	State FIPS Code.
2. wagesource	char(1)	Primary Key	A code representing the source of wage data.
3. wagesrdesc	varchar(60)		A description of the source of the wage data.
Constraint Information			
1. Foreign Key (wgsource.stfips) references (stfipstb.stfips)			

worksite			
A table of worksite codes.			
Field Name	Type	Constraint	Description
1. worksite	char(1)	Primary Key	Code for status of worksite: open or closed.
2. wksitedesc	varchar(90)		Description or title of worksite.

Data Tables

analysis			
The analysis table contains one record for each state-defined cluster.			
Field Name	Type	Constraint	Description
1. stfips	char(2)	Primary Key, 1, 2, 3	State FIPS Code
2. areatype	char(2)	Primary Key, 1	Code describing type of geographic area; e.g. county, service delivery area, MSA.
3. area	char(6)	Primary Key, 1	A 6-digit code assigned to represent a geographic area. Front fill with zeroes.
4. periodyear	char(4)	Primary Key, 4	Character representation of calendar year (e.g. 2006).
5. periodtype	char(2)	Primary Key, 4	Code describing type of period (e.g. annual, quarterly, monthly, etc.)
6. period	char(2)	Primary Key, 4	Period Code. Will be set to 00 where periodtype is annual.
7. cluscode	char(10)	Primary Key, 2	Code assigned to the cluster from the State Units of Analysis.
8. analysis	varchar(MAX)		A narrative analysis of the factors about the Supply/Demand situation for a state or substate area.
9. clusgrade	char(1)	3	An evaluative rating for the cluster.
10. placeclus	varchar(MAX)		Narrative statements about the placement rates for programs contained in the Unit of Analysis or Cluster.
Constraint Information			
<ol style="list-style-type: none"> 1. Foreign Key (analysis.stfips, analysis.areatype, analysis.area) references (geog.stfips, geog.areatype, geog.area) 2. Foreign Key (analysis.stfips, analysis.cluscode) references (cluscode.stfips, cluscode.cluscode) 3. Foreign Key (analysis.stfips, analysis.clusgrade) references (clusgrad.stfips, clusgrad.clusgrade) 4. Foreign Key (analysis.periodyear, analysis.periodtype, analysis.period) references (period.periodyear, period.periodtype, period.period) 			

bed			
Table of private sector business employment dynamics data, showing job losses and gains due to expansion, contraction, new and closed business.			
Field Name	Type	Constraint	Description
1. stfips	char(2)	Primary Key, 1, 3	State FIPS Code
2. areatype	char(2)	Primary Key, 1	Code describing type of geographic area: e.g. county, service delivery area, MSA.
3. area	char(6)	Primary Key, 1	A 6-digit code assigned to represent a geographic area. Front fill with zeroes.
4. periodyear	char(4)	Primary Key, 2	Character representation of calendar year (e.g. 2006).
5. periodtype	char(2)	Primary Key, 2	Code describing type of period (e.g. annual, quarterly, monthly, etc.)
6. period	char(2)	Primary Key, 2	Period Code. Will be set to 00 where periodtype is annual.
7. indcodetype	char(2)	Primary Key, 3	Code for the type of industry: 05 = SIC; 10 = NAICS
8. indcode	char(6)	Primary Key, 3	The industry code.
9. adjusted	char(1)	Primary Key	Indicates whether data is seasonally adjusted: 0 = Not Adjusted; 1 = Adjusted
10. bedtypcode	char(1)	Primary Key, 4	Indicator of the type of data.
11. bedemploy	numeric(12)		Amount of employment gain/loss
12. bedempperc	numeric(4,1)		Percent employment gain/loss
13. bedestabs	numeric(12)		Number of establishments involved in gain/loss
14. bedestperc	numeric(4,1)		Percent establishments involved in gain/loss
15. suppress	char(1)		An indicator that the record contains confidential data that must be suppressed for public use: 0 = Not Suppressed; 1 = Suppressed
Constraint Information			
1. Foreign Key (bed.stfips, bed.areatype, bed.area) references (geog.stfips, geog.areatype, geog.area)			
2. Foreign Key (bed.periodyear, bed.periodtype, bed.period) references (period.periodyear, period.periodtype, period.period)			
3. Foreign Key (bed.stfips, bed.indcodetype, bed.indcode) references (indcodes.stfips, indcodes.codetype, indcodes.code)			
4. Foreign Key (bed.bedtypcode) references (bedtypes.bedtypcode)			

blding			
Table of building permits awarded per area and time period.			
Field Name	Type	Constraint	Description
1. stfips	char(2)	Primary Key, 1, 3	State FIPS code.
2. areatype	char(2)	Primary Key, 1	Code describing type of geographic area: e.g. county, service delivery area, MSA.
3. area	char(6)	Primary Key, 1	A 6-digit code assigned to represent a geographic area. Front fill with zeroes.
4. periodyear	char(4)	Primary Key, 2	Character representation of calendar year (e.g. 2006).
5. periodtype	char(2)	Primary Key, 2	Code describing type of period (e.g. annual, quarterly, monthly, etc.)
6. period	char(2)	Primary Key, 2	Period Code. Will be set to '00' where periodtype is annual.
7. unittype	char(2)	Primary Key, 3	Code for the type of building permit.
8. units	numeric(7)		Number of building permits.
9. unitcost	numeric(12)		Building construction cost.
Constraint Information			
1. Foreign Key (blding.stfips, blding.areatype, blding.area) references (geog.stfips, geog.areatype, geog.area) 2. Foreign Key (blding.periodyear, blding.periodtype, blding.period) references (period.periodyear, period.periodtype, period.period) 3. Foreign Key (blding.stfips, blding.unittype) references (unittype.stfips, unittype.unittype)			

cenlabor			
Table of the labor force by the current Census occupation code, and gender.			
Field Name	Type	Constraint	Description
1. stfips	char(2)	Primary Key, 1	State FIPS Code
2. areatype	char(2)	Primary Key, 1	Code describing type of geographic area: e.g. county, service delivery area, MSA.
3. area	char(6)	Primary Key, 1	A 6-digit code assigned to represent a geographic area. Front fill with zeroes.
4. periodyear	char(4)	Primary Key, 2	Character representation of calendar year (e.g. 2006).
5. periodtype	char(2)	Primary Key, 2	Code describing type of period (e.g. annual, quarterly, monthly, etc.)
6. period	char(2)	Primary Key, 2	Period Code. Will be set to 00 where periodtype is annual.
7. censcode	char(4)	Primary Key, 3	A 4-digit code assigned to the Census occupational title.
8. femalelf	numeric(8)		Number of females in the occupation in the labor force.
9. malelf	numeric(8)		Number of males in the occupation in the labor force.
Constraint Information			
1. Foreign Key (cenlabor.stfips, cenlabor.areatype, cenlabor.area) references (geog.stfips, geog.areatype, geog.area) 2. Foreign Key (cenlabor.periodyear, cenlabor.periodtype, cenlabor.period) references (period.periodyear, period.periodtype, period.period) 3. Foreign Key (cenlabor.censcode) references (censcode.censcode)			

cenlabor2000

Table of the labor force by the 2000 Census occupation code, and gender.

Field Name	Type	Constraint	Description
1. stfips	char(2)	Primary Key, 1	State FIPS Code
2. areatype	char(2)	Primary Key, 1	Code describing type of geographic area: e.g. county, service delivery area, MSA.
3. area	char(6)	Primary Key, 1	A 6-digit code assigned to represent a geographic area. Front fill with zeroes.
4. periodyear	char(4)	Primary Key, 2	Character representation of calendar year (e.g. 2006).
5. periodtype	char(2)	Primary Key, 2	Code describing type of period (e.g. annual, quarterly, monthly, etc.)
6. period	char(2)	Primary Key, 2	Period Code. Will be set to 00 where periodtype is annual.
7. censcode	char(4)	Primary Key, 3	A 4-digit code assigned to the Census occupational title.
8. femalelf	numeric(8)		Number of females in the occupation in the labor force.
9. malelf	numeric(8)		Number of males in the occupation in the labor force.
Constraint Information			
<ul style="list-style-type: none"> 1. Foreign Key (cenlabor2000.stfips) references (geog.stfips) 1. Foreign Key (cenlabor2000.areatype) references (geog.areatype) 1. Foreign Key (cenlabor2000.area) references (geog.area) 2. Foreign Key (cenlabor2000.periodyear) references (period.periodyear) 2. Foreign Key (cenlabor2000.periodtype) references (period.periodtype) 2. Foreign Key (cenlabor2000.period) references (period.period) 3. Foreign Key (cenlabor2000.censcode) references (censcode.censcode) 			

ces			
Employment estimates as reported by the CES.			
Field Name	Type	Constraint	Description
1. stfips	char(2)	Primary Key, 1, 3	State FIPS Code
2. areatype	char(2)	Primary Key, 1	Code describing type of geographic area: e.g. county, service delivery area, MSA.
3. area	char(6)	Primary Key, 1	A 6-digit code assigned to represent a geographic area. Front fill with zeroes.
4. periodyear	char(4)	Primary Key, 2	Character representation of calendar year (e.g. 2006).
5. periodtype	char(2)	Primary Key, 2	Code describing type of period (e.g. annual, quarterly, monthly, etc.)
6. period	char(2)	Primary Key, 2	Period Code. Will be set to 00 where periodtype is annual.
7. seriescode	char(8)	Primary Key, 3	Industrial Series code.
8. adjusted	char(1)	Primary Key	Indicates if record contains seasonally adjusted data. 1 = adjusted; 0 = not adjusted
9. benchmark	char(4)	4	Benchmark year of the data.
10. prelim	char(1)		Preliminary/revised flag. 0 = Not Preliminary; 1 = Preliminary
11. empces	numeric(9)		Number employed by place of work; actual number, not in thousands.
12. empprodwrk	numeric(9)		Number of Production workers;
13. empfemale	numeric(9)		Number of females employed; actual number, not in thousands.
14. hours	numeric(3,1)		Average hours worked per week.
15. earnings	numeric(8,2)		Average weekly earnings.
16. houearn	numeric(6,2)		Average hourly earnings.
17. supprecord	char(1)		Suppress total record. 1 = Suppressed; 0 = Not Suppressed
18. supphe	char(1)		Suppress hours and earnings.
19. supppw	char(1)		Suppress Production Workers.
20. suppfem	char(1)		Suppress Female Employment.
21. hoursallwrkr	numeric(3,1)		Average hours worked per week for all workers.
22. earningsallwrkr	numeric(8,2)		Average weekly earnings for all workers.
23. houearnallwrkr	numeric(6,2)		Average hourly earnings for all workers.
24. suppheallwrkr	char(1)		Suppress hours and earnings for all workers: 0 = not suppressed; 1 = suppressed
Constraint Information			
1. Foreign Key (ces.stfips, ces.areatype, ces.area) references (geog.stfips, geog.areatype, geog.area)			
2. Foreign Key (ces.periodyear, ces.periodtype, ces.period) references (period.periodyear, period.periodtype, period.period)			
3. Foreign Key (ces.stfips, ces.seriescode) references (cescode.stfips, cescode.seriescode)			
4. Foreign Key (ces.benchmark) references (benmark.benchmark)			

commute			
Commuting patterns, by and to geographic areas.			
Field Name	Type	Constraint	Description
1. stfips	char(2)	Primary Key, 1	State FIPS Code
2. areatype	char(2)	Primary Key, 1	Code describing type of geographic area: e.g. county, service delivery area, MSA.
3. area	char(6)	Primary Key, 1	A 6-digit code assigned to represent a geographic area. Front fill with zeroes.
4. periodyear	char(4)	Primary Key, 2	Character representation of calendar year (e.g. 2006).
5. periodtype	char(2)	Primary Key, 2	Code describing type of period (e.g. annual, quarterly, monthly, etc.)
6. period	char(2)	Primary Key, 2	Period Code. Will be set to 00 where periodtype is annual.
7. wkstfips	char(2)	Primary Key, 3	State FIPS Code of workplace.
8. wkareaty	char(2)	Primary Key, 3	Area type code for workplace.
9. wkarea	char(6)	Primary Key, 3	Area code for workplace.
10. workers	numeric(8)		Number of workers.
Constraint Information			
1. Foreign Key (commute.stfips, commute.areatype, commute.area) references (geog.stfips, geog.areatype, geog.area) 2. Foreign Key (commute.periodyear, commute.periodtype, commute.period) references (period.periodyear, period.periodtype, period.period) 3. Foreign Key (commute.wkstfips, commute.wkareaty, commute.wkarea) references (geog.stfips, geog.areatype, geog.area)			

cpi Table of Consumer Price Indices.			
Field Name	Type	Constraint	Description
1. stfips	char(2)	Primary Key, 1, 3, 4	State FIPS Code
2. areatype	char(2)	Primary Key, 1	Code describing type of geographic area: e.g. county, service delivery area, MSA.
3. area	char(6)	Primary Key, 1	A 6-digit code assigned to represent a geographic area. Front fill with zeroes.
4. periodyear	char(4)	Primary Key, 2	Character representation of calendar year (e.g. 2006).
5. periodtype	char(2)	Primary Key, 2	Code describing type of period (e.g. annual, quarterly, monthly, etc.)
6. period	char(2)	Primary Key, 2	Period Code. Will be set to 00 where periodtype is annual.
7. cpitype	char(2)	Primary Key, 3	Type of CPI measure.
8. cpisource	char(1)	Primary Key, 4	Source of the CPI measure.
9. cpi	numeric(8,3)		CPI measure.
10. pctchgy	numeric(6,1)		The percent change in the CPI from the period exactly one year ago to the current period.
11. pctchgm	numeric(6,1)		The percent change in the CPI from the period exactly one month ago to the current month.
Constraint Information			
1. Foreign Key (cpi.stfips, cpi.areatype, cpi.area) references (geog.stfips, geog.areatype, geog.area) 2. Foreign Key (cpi.periodyear, cpi.periodtype, cpi.period) references (period.periodyear, period.periodtype, period.period) 3. Foreign Key (cpi.stfips, cpi.cpitype) references (cpitype.stfips, cpitype.cpitype) 4. Foreign Key (cpi.stfips, cpi.cpisource) references (cpisource.stfips, cpisource.cpisource)			

cpiplus**New Table as of v2.6**

Enhanced CPI content with more indices and geographies available.

Field Name	Type	Constraint	Description
1. stfips	char(2)	Primary Key, 1	State FIPS code
2. areatype	char(2)	Primary Key, 1	Code describing type of geographic area: set to '31' for BLS CPI Geographic Area
3. area	char(6)	Primary Key, 1	A 6-digit code assigned to represent a geographic area. Front fill with zeroes.
4. periodyear	char(4)	Primary Key, 2	Character representation of the calendar year (e.g. 2012)
5. periodtype	char(2)	Primary Key, 2	Code describing the type of period (e.g., annual, quarterly, monthly, etc.)
6. period	char(2)	Primary Key, 2	Period code. Will be set to '00' when periodtype is annual.
7. adjusted	char(1)	Primary Key	Indicates whether record contains seasonally adjusted data: 0 = not adjusted; 1 = adjusted
8. cpiindex	char(1)	Primary Key	Indicates the index represented: U = All urban consumers; W = Urban wage earners and clerical workers
9. cpiitem	char(9)	Primary Key, 3	Code that identifies market basket items included in the index
10. cpisource	char(1)	Primary Key	Source of the CPI measure
11. basis	char(4)		The 4-digit representation of the terminal year of the base period for the index (Current value is '1984' since the index uses 1982-84 as its base period)
12. cpi	number(8,3)		CPI measure
13. pctchangey	numeric(6,1)		The percent change in the CPI from the period exactly one year ago to the current period
14. pctchangem	numeric(6,1)		The percent change in the CPI from the period exactly one month ago to the current period

Constraint Information

- Foreign Key (cpiplus.stfips, cpiplus.areatype, cpiplus.area) references (geog.stfips, geog.areatype, geog.area)
- Foreign Key (cpiplus.periodyear, cpiplus.periodtype, cpiplus.period) references (period.periodyear, period.periodtype, period.period)
- Foreign Key (cpiplus.cpiitem) references (itemcpi.cpiitem)

demographics**New Table as of v2.6**

Table of population estimates and demographic characteristics by geographic area and time period.

Field Name	Type	Constraint	Description
1. stfips	char(2)	Primary Key, 1, 3	State FIPS code.
2. areatype	char(2)	Primary Key, 1	Code describing type of geographic area: e.g. county, service delivery area, MSA.
3. area	char(6)	Primary Key, 1	Six-digit code assigned to represent a geographic area. Front fill with zeroes.
4. periodyear	char(4)	Primary Key, 2	Character representation of calendar year (e.g. 1996).
5. periodtype	char(2)	Primary Key, 2	Code describing type of period (e.g. annual, quarterly, monthly, etc.)
6. period	char(2)	Primary Key, 2	Period Code. Will be set to '00' where periodtype is annual.
7. popsource	char(1)	Primary Key, 3	Source Code for population data.
8. population	number(9)		Number representing the population total for the specified geographic area and time period.
9. populationme	number(9)		Total population margin of error (\pm)
10. female	number(9)		Total female population
11. femaleme	number(9)		Total female population margin of error (\pm)
12. male	number(9)		Total male population
13. maleme	number(9)		Total male population margin of error (\pm)
14. median	number(4,1)		Population median age
15. medianme	number(4,1)		Population median age margin of error (\pm)
16. medianmale	number(4,1)		Male population median age
17. medianmaleme	number(4,1)		Male median age margin of error (\pm)
18. medianfem	number(4,1)		Female population median age
19. medianfemme	number(4,1)		Female median age margin of error (\pm)
20. totunder5	number(9)		Total population age under 5
21. femunder5	number(9)		Female population age under 5
22. femunder5me	number(9)		Female population age under 5 margin of error (\pm)
23. maleunder5	number(9)		Female population age under 5
24. maleunder5me	number(9)		Female population age under 5 margin of error (\pm)
25. tot5to9	number(9)		Total population age 5-9
26. fem5to9	number(9)		Female population age 5-9
27. fem5to9me	number(9)		Female population age 5-9 margin of error (\pm)
28. male5to9	number(9)		Male population age 5-9
29. male5to9me	number(9)		Male population age 5-9 margin of error (\pm)
30. tot10to14	number(9)		Total population age 10-14
31. fem10to14	number(9)		Female population age 10-14
32. fem10to14me	number(9)		Female population age 10-14 margin of error (\pm)
33. male10to14	number(9)		Female population age 10-14
34. male10to14me	number(9)		Female population age 10-14 margin of error (\pm)
35. tot15to19	number(9)		Total population age 15-19
36. fem15to19	number(9)		Female population age 15-19
37. male15to19	number(9)		Male population age 15-19
38. tot15to17	number(9)		Total population age 15-17

demographics**New Table as of v2.6**

Table of population estimates and demographic characteristics by geographic area and time period.

Field Name	Type	Constraint	Description
39. fem15to17	number(9)		Female population age 15-17
40. fem15to17me	number(9)		Female population age 15-17 margin of error (\pm)
41. male15to17	number(9)		Male population age 15-17
42. male15to17me	number(9)		Male population age 15-17 margin of error (\pm)
43. tot18to19	number(9)		Total population age 18-19
44. fem18to19	number(9)		Female population age 18-19
45. fem18to19me	number(9)		Female population age 18-19 margin of error (\pm)
46. male18to19	number(9)		Male population age 18-19
47. male18to19me	number(9)		Male population age 18-19 margin of error (\pm)
48. tot20to24	number(9)		Total population age 20-24
49. fem20to24	number(9)		Female population age 20-24
50. male20to24	number(9)		Male population age 20-24
51. tot20	number(9)		Total population age 20
52. fem20	number(9)		Female population age 20
53. fem20me	number(9)		Female population age 20 margin of error (\pm)
54. male20	number(9)		Male population age 20
55. male20me	number(9)		Male population age 20 margin of error (\pm)
56. tot21	number(9)		Total population age 21
57. fem21	number(9)		Female population age 21
58. fem21me	number(9)		Female population age 21 margin of error (\pm)
59. male21	number(9)		Male population age 21
60. male21me	number(9)		Male population age 21 margin of error (\pm)
61. tot22to24	number(9)		Total population age 22-24
62. fem22to24	number(9)		Female population age 22-24
63. fem22to24me	number(9)		Female population age 22-24 margin of error (\pm)
64. male22to24	number(9)		Male population age 22-24
65. male22to24me	number(9)		Male population age 22-24 margin of error (\pm)
66. tot25to34	number(9)		Total population age 25-34
67. fem25to34	number(9)		Female population age 25-34
68. male25to34	number(9)		Male population age 25-34
69. tot25to29	number(9)		Total population age 25-29
70. fem25to29	number(9)		Female population age 25-29
71. fem25to29me	number(9)		Female population age 25-29 margin of error (\pm)
72. male25to29	number(9)		Male population age 25-29
73. male25to29me	number(9)		Male population age 25-29 margin of error (\pm)
74. tot30to34	number(9)		Total population age 29-34
75. fem30to34	number(9)		Female population age 29-34
76. fem30to34me	number(9)		Female population age 29-34 margin of error (\pm)
77. male30to34	number(9)		Male population age 29-34
78. male30to34me	number(9)		Male population age 29-34 margin of error (\pm)
79. tot35to44	number(9)		Total population age 35-44
80. fem35to44	number(9)		Female population age 35-44
81. male35to44	number(9)		Male population age 35-44

demographics

New Table as of v2.6

Table of population estimates and demographic characteristics by geographic area and time period.

Field Name	Type	Constraint	Description
82. tot35to39	number(9)		Total population age 35-39
83. fem35to39	number(9)		Female population age 35-39
84. fem35to39me	number(9)		Female population age 35-39 margin of error (±)
85. male35to39	number(9)		Male population age 35-39
86. male35to39me	number(9)		Male population age 35-39 margin of error (±)
87. tot40to44	number(9)		Total population age 40-44
88. fem40to44	number(9)		Female population age 40-44
89. fem40to44me	number(9)		Female population age 40-44 margin of error (±)
90. male40to44	number(9)		Male population age 40-44
91. male40to44me	number(9)		Male population age 40-44 margin of error (±)
92. tot45to54	number(9)		Total population age 45-54
93. fem45to54	number(9)		Female population age 45-54
94. male45to54	number(9)		Female population age 45-54
95. tot45to49	number(9)		Total population age 45-49
96. fem45to49	number(9)		Female population age 45-49
97. fem45to49me	number(9)		Female population age 45-49 margin of error (±)
98. male45to49	number(9)		Male population age 45-49
99. male45to49me	number(9)		Male population age 45-49 margin of error (±)
100. tot50to54	number(9)		Total population age 50-54
101. fem50to54	number(9)		Female population age 50-54
102. fem50to54me	number(9)		Female population age 50-54 margin of error (±)
103. male50to54	number(9)		Female population age 50-54
104. male50to54me	number(9)		Female population age 50-54 margin of error (±)
105. tot55to59	number(9)		Total population age 55-59
106. fem55to59	number(9)		Female population age 55-59
107. fem55to59me	number(9)		Female population age 55-59 margin of error (±)
108. male55to59	number(9)		Male population age 55-59
109. male55to59me	number(9)		Male population age 55-59 margin of error (±)
110. tot60to64	number(9)		Total population age 60-64
111. fem60to64	number(9)		Female population age 60-64
112. male60to64	number(9)		Male population age 60-64
113. tot60to61	number(9)		Total population age 60-61
114. fem60to61	number(9)		Female population age 60-61
115. fem60to61me	number(9)		Female population age 60-61 margin of error (±)
116. male60to61	number(9)		Male population age 60-61
117. male60to61me	number(9)		Male population age 60-61 margin of error (±)
118. tot62to64	number(9)		Total population age 62-64
119. fem62to64	number(9)		Female population age 62-64
120. fem62to64me	number(9)		Female population age 62-64 margin of error (±)
121. male62to64	number(9)		Male population age 62-64
122. male62to64me	number(9)		Male population age 62-64 margin of error (±)
123. tot65to69	number(9)		Total population age 65-74
124. fem65to69	number(9)		Female population age 65-74

demographics**New Table as of v2.6**

Table of population estimates and demographic characteristics by geographic area and time period.

Field Name	Type	Constraint	Description
125. male65to69	number(9)		Male population age 65-74
126. tot65to66	number(9)		Total population age 65-66
127. fem65to66	number(9)		Female population age 65-66
128. fem65to66me	number(9)		Female population age 65-66 margin of error (\pm)
129. male65to66	number(9)		Male population age 65-66
130. male65to66me	number(9)		Male population age 65-66 margin of error (\pm)
131. tot67to69	number(9)		Total population age 67-69
132. fem67to69	number(9)		Female population age 67-69
133. fem67to69me	number(9)		Female population age 67-69 margin of error (\pm)
134. male67to69	number(9)		Male population age 67-69
135. male67to69me	number(9)		Male population age 67-69 margin of error (\pm)
136. tot70to74	number(9)		Total population age 70-74
137. fem70to74	number(9)		Female population age 70-74
138. fem70to74me	number(9)		Female population age 70-74 margin of error (\pm)
139. male70to74	number(9)		Male population age 70-74
140. male70to74me	number(9)		Male population age 70-74 margin of error (\pm)
141. tot75to84	number(9)		Total population age 75-84
142. fem75to84	number(9)		Female population age 75-84
143. male75to84	number(9)		Male population age 75-84
144. tot75to79	number(9)		Total population age 75-79
145. fem75to79	number(9)		Female population age 75-79
146. fem75to79me	number(9)		Female population age 75-79 margin of error (\pm)
147. male75to79	number(9)		Male population age 75-79
148. male75to79me	number(9)		Male population age 75-79 margin of error (\pm)
149. tot80to84	number(9)		Total population age 80-84
150. fem80to84	number(9)		Female population age 80-84
151. fem80to84me	number(9)		Female population age 80-84 margin of error (\pm)
152. male80to84	number(9)		Male population age 80-84
153. male80to84me	number(9)		Male population age 80-84 margin of error (\pm)
154. tot85xx	number(9)		Total population age 85 and over
155. fem85xx	number(9)		Female population age 85 and over
156. fem85xxme	number(9)		Female population age 85 and over margin of error (\pm)
157. male85xx	number(9)		Male population age 85 and over
158. male85xxme	number(9)		Male population age 85 and over margin of error
159. tot18xx	number(9)		Total population age 18 and over
160. fem18xx	number(9)		Female population age 18 and over
161. male18xx	number(9)		Male population age 18 and over
162. tot21xx	number(9)		Total population age 21 and over
163. fem21xx	number(9)		Female population age 21 and over
164. male21xx	number(9)		Male population age 21 and over
165. tot62xx	number(9)		Total population age 62 and over
166. fem62xx	number(9)		Female population age 62 and over
167. male62xx	number(9)		Male population age 62 and over

demographics

New Table as of v2.6

Table of population estimates and demographic characteristics by geographic area and time period.

Field Name	Type	Constraint	Description
168. onerace	number(9)		Population: one race
169. oneraceme	number(9)		Population: one race margin of error (±)
170. white	number(9)		One race: White
171. whiteme	number(9)		One race: White margin of error (±)
172. black	number(9)		One race: Black or African American
173. blackme	number(9)		One race: Black or African American margin of error (±)
174. naan	number(9)		One race: American Indian or Alaskan Native
175. naanme	number(9)		One race: American Indian or Alaskan Native margin of error (±)
176. asian	number(9)		One race: Asian
177. asianme	number(9)		One race: Asian margin of error (±)
178. pacisland	number(9)		One race: Native Hawaiian and Other Pacific Islander
179. pacislandme	number(9)		One race: Native Hawaiian and Other Pacific Islander margin of error (±)
180. other	number(9)		One race: Other
181. otherme	number(9)		One race: Other margin of error (±)
182. twomoraces	number(9)		Two or more races
183. twomoracesme	number(9)		Two or more races margin of error (±)
184. hispanic	number(9)		Hispanic or Latino
185. hispanicme	number(9)		Hispanic or Latino margin of error (±)
186. hispwhite	number(9)		Hispanic or Latino: White Alone
187. hispwhiteme	number(9)		Hispanic or Latino: White Alone margin of error (±)
188. hispblack	number(9)		Hispanic or Latino: Black or African American
189. hispblackme	number(9)		Hispanic or Latino: Black or African American margin of error (±)
190. hispnaan	number(9)		Hispanic or Latino: American Indian or Alaskan Native
191. hispnaanme	number(9)		Hispanic or Latino: American Indian or Alaskan Native margin of error (±)
192. hispasian	number(9)		Hispanic or Latino: Asian
193. hispasianme	number(9)		Hispanic or Latino: Asian margin of error (±)
194. hisppacisl	number(9)		Hispanic or Latino: Hawaiian and Other Pacific Islander
195. hisppacislme	number(9)		Hispanic or Latino: Hawaiian and Other Pacific Islander margin of error (±)
196. hispother	number(9)		Hispanic or Latino: Some other race alone
197. hispotherme	number(9)		Hispanic or Latino: Some other race alone margin of error (±)
198. hisp2race	number(9)		Hispanic or Latino: Two or more races
199. hisp2raceme	number(9)		Hispanic or Latino: Two or more races margin of error (±)

demographics**New Table as of v2.6**

Table of population estimates and demographic characteristics by geographic area and time period.

Field Name	Type	Constraint	Description
Constraint Information			
1. Foreign Key (demographics.stfips, demographics.areatype, demographics.area) references (geog.stfips, geog.areatype, geog.area)			
2. Foreign Key (demographics.periodyear, demographics.periodtype, demographics.period) references (period.periodyear, period.periodtype, period.period)			
3. Foreign Key (demographics.stfips, demographics.popsouce) references (popsouce.stfips, popsouce.popsouce)			
1: For multi-year estimates, periodyear should be set to the terminal year, eg. 2008 for 2006-2008 estimates.			

develop

Table of industrial development.

Field Name	Type	Constraint	Description
1. stfips	char(2)	Primary Key, 1, 3	State FIPS Code
2. areatype	char(2)	Primary Key, 1	Code describing type of geographic area: e.g. county, service delivery area, MSA.
3. area	char(6)	Primary Key, 1	A 6-digit code assigned to represent a geographic area. Front fill with zeroes.
4. periodyear	char(4)	Primary Key, 2	Character representation of calendar year (e.g. 2006).
5. periodtype	char(2)	Primary Key, 2	Code describing type of period (e.g. annual, quarterly, monthly, etc.)
6. period	char(2)	Primary Key, 2	Period Code. Will be set to 00 where periodtype is annual.
7. indcodty	char(2)	Primary Key, 3	Code describing the industry code type.
8. indcode	char(6)	Primary Key, 3	A code used in the classification of establishments by type of activity in which they are engaged. For codes not 6 characters long, left justify and blank (ASCII 32) fill. Either SIC or NAICS code can be used. A siccode of 9999 means non-classifiable; industry not specified.
9. newinvest	numeric(10)		New industry investment data.
10. newemploy	numeric(7)		New industry employment data.
11. newfirms	numeric(6)		Number of new firms.
12. expinvest	numeric(10)		Expanded industry investment data.
13. expemploy	numeric(7)		Expanded industry employment data.
14. expfirms	numeric(6)		Number of expanding firms.
15. invinent	numeric(10)		Infrastructure investment.

Constraint Information

- Foreign Key (develop.stfips, develop.areatype, develop.area) references (geog.stfips, geog.areatype, geog.area)
- Foreign Key (develop.periodyear, develop.periodtype, develop.period) references (period.periodyear, period.periodtype, period.period)
- Foreign Key (develop.stfips, develop.indcodty, develop.indcode) references (indcodes.stfips, indcodes.codetype, indcodes.code)

eeolabfac**DEPRECATED as of v2.6**

Labor Force, Employment, and Unemployment factors by race and gender, derived from Summary File 3A, tables 043 and 150 (a through i).

Field Name	Type	Constraint	Description
1. stfips	char(2)	Primary Key, 1	State FIPS Code
2. areatype	char(2)	Primary Key, 1	Code describing type of geographic area: e.g. county, service delivery area, MSA.
3. area	char(6)	Primary Key, 1	A 6-digit code assigned to represent a geographic area. Front fill with zeroes.
4. periodyear	char(4)	Primary Key, 2	Character representation of calendar year (e.g. 2006).
5. periodtype	char(2)	Primary Key, 2	Code describing type of period (e.g. annual, quarterly, monthly, etc.)
6. period	char(2)	Primary Key, 2	Period Code. Will be set to 00 where periodtype is annual.
7. gender	char(1)	Primary Key, 3	Gender Code.
8. raceethn	char(5)	Primary Key, 4	The Workforce Information Race/Ethnicity code.
9. lfact	numeric(9,8)		The EEO Race/Gender combination divided by the total 2000 Census labor force.
10. empfact	numeric(9,8)		The EEO Race/Gender combination divided by the total 2000 Census employment
11. unempfact	numeric(9,8)		The EEO Race/Gender combination divided by the total 2000 Census unemployment.

Constraint Information

1. Foreign Key (eeolabfac.stfips, eeolabfor.areatype, eeolabfor.area) references (geog.stfips, geog.areatype, geog.area)
2. Foreign Key (eeolabfac.periodyear, eeolabfac.periodtype, eeolabfac.period) references (period.periodyear, period.periodtype, period.period)
3. Foreign Key (eeolabfac.gender) references (gender.gender)
4. Foreign Key (eeolabfac.raceethn) references (raceethn.raceethn)

eeolabfor**DEPRECATED as of v2.6**

Employment and unemployment estimates reported from the Local Area Unemployment Statistics broken down by Census EEO Categories.

Field Name	Type	Constraint	Description
1. stfips	char(2)	Primary Key, 1	State FIPS Code
2. areatype	char(2)	Primary Key, 1	Code describing type of geographic area: e.g. county, service delivery area, MSA.
3. area	char(6)	Primary Key, 1	A 6-digit code assigned to represent a geographic area. Front fill with zeroes.
4. periodyear	char(4)	Primary Key, 2	Character representation of calendar year (e.g. 2006).
5. periodtype	char(2)	Primary Key, 2	Code describing type of period (e.g. annual, quarterly, monthly, etc.)
6. period	char(2)	Primary Key, 2	Period Code. Will be set to 00 where periodtype is annual.
7. gender	char(1)	Primary Key, 3	Gender Code.
8. raceethn	char(5)	Primary Key, 4	The Workforce Information Race/Ethnicity code.
9. laborforce	numeric(9)		Civilian labor force.
10. emplab	numeric(9)		Number employed by place of residence.
11. unemp	numeric(9)		Number unemployed.
12. unemprate	numeric(5,1)		Unemployment rate.

Constraint Information

1. Foreign Key (eeolabfor.stfips, eeolabfor.areatype, eeolabfor.area) references (geog.stfips, geog.areatype, geog.area)
2. Foreign Key (eeolabfor.periodyear, eeolabfor.periodtype, eeolabfor.period) references (period.periodyear, period.periodtype, period.period)
3. Foreign Key (eeolabfor.gender) references (gender.gender)
4. Foreign Key (eeolabfor.raceethn) references (raceethn.raceethn)

eeoocc**DEPRECATED as of v2.6**

Table of 2000 EEO Census occupation data, by race/ethnicity.

Field Name	Type	Constraint	Description
1. stfips	char(2)	Primary Key, 1	State FIPS Code
2. areatype	char(2)	Primary Key, 1	Code describing type of geographic area: e.g. county, service delivery area, MSA.
3. area	char(6)	Primary Key, 1	A 6-digit code assigned to represent a geographic area. Front fill with zeroes.
4. periodyear	char(4)	Primary Key, 2	Character representation of calendar year (e.g. 2006).
5. periodtype	char(2)	Primary Key, 2	Code describing type of period (e.g. annual, quarterly, monthly, etc.)
6. period	char(2)	Primary Key, 2	Period Code. Will be set to 00 where periodtype is annual.
7. gender	char(1)	Primary Key, 3	Gender Code.
8. raceethn	char(5)	Primary Key, 4	The Workforce Information Race/Ethnicity code.
9. occodetype	char(2)		Code describing the type of occupational coding system. This will be '06' for census code.
10. occcode	char(10)		The occupational classification code used by the state for this data element. In most cases, this will be the CENSUS code. For codes not 10 characters long, left justify and blank (ASCII 32) fill.
11. explabfor	numeric(10)		The experienced labor force for the occupation (those with work experience in the occupation, 1995-2000).

Constraint Information

1. Foreign Key (eeoocc.stfips, eeoocc.areatype, eeoocc.area) references (geog.stfips, geog.areatype, geog.area)
1. Foreign Key (eeolabfor.stfips, eeolabfor.areatype, eeolabfor.area) references (geog.stfips, geog.areatype, geog.area)
2. Foreign Key (eeoocc.periodyear, eeoocc.periodtype, eeoocc.period) references (period.periodyear, period.periodtype, period.period)
3. Foreign Key (eeoocc.gender) references (gender.gender)
4. Foreign Key (eeoocc.raceethn) references (raceethn.raceethn)

eeopop**DEPRECATED as of v2.6**

Table of equal employment opportunity (eeo) state and local populations.

Field Name	Type	Constraint	Description
1. stfips	char(2)	Primary Key, 1	State FIPS Code
2. areatype	char(2)	Primary Key, 1	Code describing type of geographic area: e.g. county, service delivery area, MSA.
3. area	char(6)	Primary Key, 1	A 6-digit code assigned to represent a geographic area. Front fill with zeroes.
4. periodyear	char(4)	Primary Key, 2	Character representation of calendar year (e.g. 2006).
5. periodtype	char(2)	Primary Key, 2	Code describing type of period (e.g. annual, quarterly, monthly, etc.)
6. period	char(2)	Primary Key, 2	Period Code. Will be set to 00 where periodtype is annual.
7. gender	char(1)	Primary Key, 3	Gender Code.
8. raceethn	char(5)	Primary Key, 4	The Workforce Information Race/Ethnicity code.
9. population	numeric(10)		Number representing the population total for the specified geographic area and time period.

Constraint Information

1. Foreign Key (eeopop.stfips, eeopop.areatype, eeopop.area) references (geog.stfips, geog.areatype, geog.area)
2. Foreign Key (eeopop.periodyear, eeopop.periodtype, eeopop.period) references (period.periodyear, period.periodtype, period.period)
3. Foreign Key (eeopop.gender) references (gender.gender)
4. Foreign Key (eeopop.raceethn) references (raceethn.raceethn)

empdb

The Employer Database, used for data on individual companies, subject to license agreements between States and the vendor.

Field Name	Type	Constraint	Description
1. stfips	char(2)	1	State fips code of employer's physical location.
2. areatype	char(2)	1	Always township code '14' for New England states; always county code '04' for all other states.
3. area	char(6)	1	A 3-digit code assigned to county (fips) or township where business is located, front filled with zeroes.
4. uniqueid	char(9)	Primary Key	Employer's unique id assigned by infoUSA infoGroup.
5. fein	char(9)		Federal Employer Identification Number
6. lastupdate	char(6)		Date of record's most recent update or verification from Yellow Page compilation or other sources.
7. name	varchar(35)		Name by which the business is known or under which it conducts business.
8. addressP	varchar(40)		Employer's physical location - street address
9. cityP	varchar(30)		Employer's physical location - city
10. stateP	char(2)		Employer's physical location - state
11. zipcodeP	char(5)		Employer's physical location - zipcode
12. zipplusP	char(4)		Employer's physical location - zip + 4
13. latitude	numeric(11,6)		Employer's physical location - latitude
14. longitude	numeric(11,6)		Employer's physical location - longitude
15. geocode	char(1)	2	Employer's physical location - geocode precision level code. The precision of the longitude and latitude coordinates.
16. censustract	char(6)		Census tract - A statistical subdivision of a county
17. censusblockgrp	char(1)		Census block group - a combination of census blocks within a census tract.
18. addressM	varchar(40)		Employer's mailing address - street address
19. cityM	varchar(30)		Employer's mailing address - city
20. stateM	char(2)		Employer's mailing address - state
21. zipcodeM	char(5)		Employer's mailing address - zip-code
22. zipplusM	char(4)		Employer's mailing address - zip + 4
23. addressL	varchar(40)		Employer's landmark address - landmark
24. cityL	varchar(30)		Employer's landmark address - city
25. stateL	char(2)		Employer's landmark address - state
26. zipcodeL	char(5)		Employer's landmark address - zip-code
27. zipplusL	char(4)		Employer's landmark address - zip + 4
28. telenum	char(10)		Employer's telephone number with area code.
29. cntctlname	varchar(30)		Contact's last name.
30. cntctfname	varchar(30)		Contact's first name.
31. cntcttitle	varchar(35)		Contact's title(e.g., HR director, owner, president)
32. contacttitlecode	char(1)	3	Contact's title code
33. contactprotile	char(3)	4	Contact's professional title
34. contactgender	char(1)		Contact's Gender code
35. contactemail	varchar(60)		Contact's email address
36. tollfreetele	char(10)		Employer's toll-free telephone number
37. faxnumber	char(10)		Employer's fax number.
38. weblink	varchar(40)		Employer's web site address (URL).

empdb

The Employer Database, used for data on individual companies, subject to license agreements between States and the vendor.

Field Name	Type	Constraint	Description
39. busdesc	varchar(45)		Business description(a one-line 'line of business' identifier).
40. primarysic	char(6)		Employer's primary SIC code.
41. sic2	char(6)		Employer's SIC code #2
42. sic3	char(6)		Employer's SIC code #3
43. sic4	char(6)		Employer's SIC code #4
44. sic5	char(6)		Employer's SIC code #5
45. primnaics	char(8)		Employer's primary NAICS code.
46. naics2	char(8)		Employer's NAICS code #2
47. naics3	char(8)		Employer's NAICS code #3
48. naics4	char(8)		Employer's NAICS code #4
49. naics5	char(8)		Employer's NAICS code #5
50. privgovsta	char(1)	5	Identifies whether the business is a government or private sector entity.
51. locstat	char(1)	6	Identifies the business location status.
52. stockexchcode	char(1)	7	Stock exchange code identifies the Stock Exchange where the business conducts trading activity.
53. stockticker	char(6)		Stock "TICKER" symbol is shown for companies that are traded on any public stock exchange or listed in the NASDAQ "over the counter" quotation system or other small exchanges (i.e., Chicago Mercantile).
54. whitecollarpct	numeric(4,1)		Percentage of white collar employment
55. whitecollarind	char(1)		White collar indicator: 1 = Over 50% white collar employment
56. empsizrng	char(2)	8	Code for the number of employees that work at this business location, by range.
57. empsizval	numeric(9)		Number of employees who work at this location of the business.
58. empsizflg	char(1)	9	Code identifying how the employment (empsizval) was derived.
59. annsalrng	char(2)	10	Code for the estimated sales of the business at this location, in thousands, by range.
60. annsalval	varchar(15)		Estimated annual sales volume of the business at this location.
61. annsalflg	char(1)	11	Code identifying how the annual sales volume was derived.
62. yearest	char(4)		Year the business at this location was established or identified and added to the database.
63. creditcd	char(1)	12	Credit rating code: an indicator of a business' financial status, or probable ability to pay. These are modeled; they do not reflect actual payment history. Users must be cautioned that these credit rating indicators should not be the sole factor in making a credit decision.
64. hdqtrsid	char(9)		The uniqueid of the regional or subsidiary headquarters of the business to which this record pertains.
65. parentid	char(9)		The uniqueid of the corporate parent of the business to which this record pertains. This may be the immediate or a higher level U.S. corporate parent of the business.
66. ultimateparentid	char(9)		The uniqueid of the ultimate corporate parent to which this record pertains. This may be a higher level U.S. or foreign corporate parent of the business. Since all locations of a business have the same ultimate parent number, this field provides 'corporate ownership' linkage information.
67. foreignparentind	char(1)		Foreign parent indicator. A '1' = foreign affiliation.

empdb

The Employer Database, used for data on individual companies, subject to license agreements between States and the vendor.

Field Name	Type	Constraint	Description
68. exportimportind	char(1)		Export Import indicator code Indicates the type of services provided.
69. businesstype	char(1)		Code helps identify if the record represents a professional individual versus a firm.
70. workathome	char(1)		Work-at-home business. A '1' indicates a home business.
71. releaseno	char(3)	13	empdb release number

Constraint Information

1. Foreign Key (empdb.stfips, empdb.areatype, empdb.area) references (geog.stfips, geog.areatype, geog.area)
2. Foreign Key (empdb.geopcode) references (geocode.geopcode)
3. Foreign Key (empdb.contacttitlecode) references (contacttitle.contacttitlecode)
4. Foreign Key (empdb.contactprotitile) references (contactpro.contactprotitile)
5. Foreign Key (empdb.prvgovsta) references (prvgovst.prvgovsta)
6. Foreign Key (empdb.locstat) references (locstat.locstat)
7. Foreign Key (empdb.stockexchcode) references (stockexch.stockexchcode)
8. Foreign Key (empdb.empsizrng) references (empszrng.empsizrng)
9. Foreign Key (empdb.empsizflg) references (empszflg.empsizflg)
10. Foreign Key (empdb.annslrng) references (annslrng.annslrng)
11. Foreign Key (empdb.annsalflg) references (annsalflg.annsalflg)
12. Foreign Key (empdb.creditcd) references (creditcd.creditcd)
13. Foreign Key (empdb.releaseno) references (empdbinf.releaseno)

esapplic1 Employment Service applicant characteristics.			
Field Name	Type	Constraint	Description
1. stfips	char(2)	Primary Key, 1, 3, 6, 7	State FIPS code.
2. areatype	char(2)	Primary Key, 1	Code describing type of geographic area: e.g. county, service delivery area, MSA.
3. area	char(6)	Primary Key, 1	A 6-code assigned to represent a geographic area. Front fill with zeroes.
4. periodyear	char(4)	Primary Key, 2	Character representation of calendar year (e.g. 1996).
5. periodtype	char(2)	Primary Key, 2	Code describing type of period (e.g. annual, quarterly, monthly, etc.)
6. period	char(2)	Primary Key, 2	Period Code. Will be set to '00' where periodtype is annual.
7. occodetype	char(2)	Primary Key, 7	Code describing the occupational code.
8. occcode	char(10)	Primary Key, 7	The occupational classification code used by the state for this data element. This code could be DOT, OES, SOC, Census, etc. For codes not 10 characters long, left justify and blank (ASCII 32) fill.
9. agegroup	char(2)	Primary Key, 3	Code representing age group.
10. gender	char(1)	Primary Key, 4	Gender code.
11. raceethn	char(5)	Primary Key, 5	Code indicating ethnicity and race of claimants.
12. highestgrd	char(2)	Primary Key, 6	Code indicating the highest school grade completed.
13. esapplicid	int		Unique ID for relating esapplic2 to esapplic1.
14. applicants	numeric(8)		Number of current applicants.
Constraint Information			
1. Foreign Key (esapplic1.stfips, esapplic1.areatype, esapplic1.area) references (geog.stfips, geog.areatype, geog.area) 2. Foreign Key (esapplic1.periodyear, esapplic1.periodtype, esapplic1.period) references (period.periodyear, period.periodtype, period.period) 3. Foreign Key (esapplic1.stfips, esapplic1.agegroup) references (agegroup.stfips, agegroup.agegroup) 4. Foreign Key (esapplic1.gender) references (gender.gender) 5. Foreign Key (esapplic1.raceethn) references (raceethn.raceethn) 6. Foreign Key (esapplic1.stfips, esapplic1.highestgrd) references (schgrade.stfips, schgrade.highestgrd) 7. Foreign Key (esapplic1.stfips, esapplic1.occodetype, esapplic1.occocode) references (occcodes.stfips, occcodes.codetype, occcodes.code)			

esapplic2

Employment Service applicant characteristics.

Field Name	Type	Constraint	Description
1. stfips	char(2)	Primary Key, 1	State FIPS code.
2. esapplicid	int	Primary Key, 1	Unique ID for relating esapplic2 to esapplic1.
3. veteran	char(1)	Primary Key, 2	Code representing veteran status.
4. disabled	char(1)	Primary Key, 3	Code indicating handicapped applicants.
5. seasonal	char(1)	Primary Key, 4	Code indicating seasonal or migrant workers.
6. econdisadv	char(1)	Primary Key, 5	Code indicating those who are economically disadvantaged.
7. dislocated	char(1)	Primary Key, 6	Code indicating dislocated workers.
8. applicants	numeric(8)		Number of current applicants.

Constraint Information

1. Foreign Key (esapplic2.stfips, esapplic2.esapplicid) references (esapplic1.stfips, esapplic1.esapplicid)
2. Foreign Key (esapplic2.veteran) references (vetcode.veteran)
3. Foreign Key (esapplic2.disabled) references (disabil.disabled)
4. Foreign Key (esapplic2.seasonal) references (seasonal.seasonal)
5. Foreign Key (esapplic2.econdisadv) references (disadvan.econdisadv)
6. Foreign Key (esapplic2.dislocated) references (dislocat.dislocated)

esdata Employment Service Data.			
Field Name	Type	Constraint	Description
1. stfips	char(2)	Primary Key, 1, 4, 5	State FIPS Code
2. areatype	char(2)	Primary Key, 1	Code describing type of geographic area: e.g. county, service delivery area, MSA.
3. area	char(6)	Primary Key, 1	A 6-digit code assigned to represent a geographic area. Front fill with zeroes.
4. periodyear	char(4)	Primary Key, 2	Character representation of calendar year (e.g. 2006).
5. periodtype	char(2)	Primary Key, 2	Code describing type of period (e.g. annual, quarterly, monthly, etc.)
6. period	char(2)	Primary Key, 2	Period Code. Will be set to 00 where periodtype is annual.
7. occodetype	char(2)	Primary Key, 5	Code describing the occupational code.
8. occcode	char(10)	Primary Key, 5	The classification occupational code code used by the state for this data element. This code could be DOT, OES, SOC, CENSUS, etc. For codes not 10 characters long, left justify and blank (ASCII 32) fill.
9. stattype	char(2)	Primary Key, 4	Code that represents the statistical type for eswage.
10. ratetype	char(1)	Primary Key, 3	Code describing units for eswage.
11. eswage	numeric(9,2)		A statistical measure of wage offered for the openings in a job classification (e.g., median wage, average wage for the job classification).
12. esorders	numeric(8)		Employment Service job orders.
13. esopen	numeric(8)		Employment Service job openings.
14. esapps	numeric(8)		Employment Service job applicants.
15. newapps	numeric(8)		Number of new Employment Service job applicants.
16. referrals	numeric(8)		Number of job seekers referred to jobs.
Constraint Information			
1. Foreign Key (esdata.stfips, esdata.areatype, esdata.area) references (geog.stfips, geog.areatype, geog.area) 2. Foreign Key (esdata.periodyear, esdata.periodtype, esdata.period) references (period.periodyear, period.periodtype, period.period) 3. Foreign Key (esdata.ratetype) references (ratetype.ratetype) 4. Foreign Key (esdata.stfips, esdata.stattype) references (stattype.stfips, stattype.stattype) 5. Foreign Key (esdata.stfips, esdata.occodetype, esdata.occcode) references (occcodes.stfips, occcodes.codetype, occcodes.code)			

income			
Income data by geography.			
Field Name	Type	Constraint	Description
1. stfips	char(2)	Primary Key, 1, 3	State FIPS Code
2. areatype	char(2)	Primary Key, 1	Code describing type of geographic area: e.g. county, service delivery area, MSA.
3. area	char(6)	Primary Key, 1	A 6-digit code assigned to represent a geographic area. Front fill with zeroes.
4. periodyear	char(4)	Primary Key, 2	Character representation of calendar year (e.g. 2006).
5. periodtype	char(2)	Primary Key, 2	Code describing type of period (e.g. annual, quarterly, monthly, etc.)
6. period	char(2)	Primary Key, 2	Period Code. Will be set to 00 where periodtype is annual.
7. inctype	char(2)	Primary Key, 3	Code describing type of income measure.
8. incsource	char(1)	Primary Key, 3	Source of the income measure.
9. income	numeric(14)		Value of income measure.
10. incrank	numeric(3)		Rank of income measure.
11. population	numeric(10)		Population of the geography referenced.(related to inctype e.g., number of households, number of families, number persons)
12. releasedate	char(8)		Release Date (yyyymmdd)
Constraint Information			
<p>1. Foreign Key (income.stfips, income.areatype, income.area) references (geog.stfips, geog.areatype, geog.area)</p> <p>2. Foreign Key (income.periodyear, income.periodtype, income.period) references (period.periodyear, period.periodtype, period.period)</p> <p>3. Foreign Key (income.stfips, income.inctype, income.incsource) references (incomtyp.stfips, incomtyp.inctype,incomtyp.incsource)</p>			

indprj**DEPRECATED as of v2.6**

Table of employment projections by industries and areas.

Field Name	Type	Constraint	Description
1. stfips	char(2)	Primary Key, 1, 2, 3	State FIPS Code
2. areatype	char(2)	Primary Key, 1	Code describing type of geographic area: e.g. county, service delivery area, MSA.
3. area	char(6)	Primary Key, 1	A 6-digit code assigned to represent a geographic area. Front fill with zeroes.
4. periodid	char(2)	Primary Key, 2	A 2-digit code identifying the base and projected periods.
5. matincode	char(15)	Primary Key, 2	Matrix industry code from Micro Matrix.
6. estindprj	numeric(9)		A numerical value representing a base year employment estimate for an industry.
7. projindprj	numeric(9)		A value representing the projected year employment estimate for an industry.
8. grrate	numeric(7,4)		A value representing the annualized percentage growth. This value is calculated by dividing the Projected year by the Base year. Taking the results to the 1/n power, where n is the number of years in the projection period, subtracting 1 from the result and multiplying that result by 100. $100.grrate = (((projindprj/estindprj)^{1/n}) - 1) * 100$
9. nchg	numeric(9)		Numeric Change between the projected estimate and the base estimate.
10. pchg	numeric(7,4)		Percent change over period $((projindprj - estindprj) / estindprj) * 100$
11. growcode	char(2)	3	A descriptor to allow for state specific interpretation of the industry or occupation.
12. suppress	char(1)		An indicator that the record contains confidential data that must be suppressed for public use: 0 = Not Suppressed; 1 = Suppressed

Constraint Information

1. Foreign Key (indprj.stfips, indprj.areatype, indprj.area) references (geog.stfips, geog.areatype, geog.area)
2. Foreign Key (indprj.stfips, indprj.matincode, indprj.periodid) references (inndir.stfips, inndir.matincode, inndir.periodid)
3. Foreign Key (indprj.stfips, indprj.growcode) references (growcode.stfips, growcode.growcode)

indsum			
Count of employers for each industry, with detailed source.			
Field Name	Type	Constraint	Description
1. stfips	char(2)	Primary Key, 1, 2	State FIPS Code
2. areatype	char(2)	Primary Key, 1	Code describing type of geographic area: e.g. county, service delivery area, MSA.
3. area	char(6)	Primary Key, 1	A 6-digit code assigned to represent a geographic area. Front fill with zeroes.
4. incodetyp	char(2)	Primary Key, 2	Code describing the type of industry classification code.
5. indcode	char(6)	Primary Key, 2	The classification code used by the state for this data element. This could be a SIC or NAICS code. For codes not 6 characters long, left justify and blank (ASCII 32) fill.
6. indsource	char(1)	Primary Key	Detail source of industry aggregates: E = empdb; S = stfirms
7. employers	numeric(6)		Count of employers
Constraint Information			
1. Foreign Key (indsum.stfips, indsum.areatype, indsum.area) references (geog.stfips, geog.areatype, geog.area) 2. Foreign Key (indsum.stfips, indsum.incodetyp, indsum.indcode) references (indcodes.stfips, indcodes.codetype, indcodes.code)			

industry			
Table of covered employment by industry collected for the ES-202/QCEW report.			
Field Name	Type	Constraint	Description
1. stfips	char(2)	Primary Key, 1, 3, 4	State FIPS Code
2. areatype	char(2)	Primary Key, 1	Code describing type of geographic area: e.g. county, service delivery area, MSA.
3. area	char(6)	Primary Key, 1	A 6-digit code assigned to represent a geographic area. Front fill with zeroes.
4. periodyear	char(4)	Primary Key, 2	Character representation of calendar year (e.g. 2006).
5. periodtype	char(2)	Primary Key, 2	Code describing type of period (e.g. annual, quarterly, monthly, etc.)
6. period	char(2)	Primary Key, 2	Period Code. Will be set to 00 where periodtype is annual.
7. indcodty	char(2)	Primary Key, 4	Code describing the industry code type.
8. indcode	char(6)	Primary Key, 4	A code used in the classification of establishments by type of activity in which they are engaged. For codes not 6 characters long, left justify and blank (ASCII 32) fill. Either SIC or NAICS code can be used. A siccode of 9999 means non-classifiable; industry not specified.
9. ownership	char(2)	Primary Key, 3	Ownership is a 2-digit indicator that identifies the employer by public or private ownership.
10. prelim	char(1)		Preliminary/revised flag: 0 = Not Preliminary; 1 = Preliminary
11. firms	numeric(8)		The number of firms in the industry.
12. estab	numeric(8)		The number of employer establishments in the industry. (reporting units)
13. avgemp	numeric(9)		The number of workers employed in the industry.
14. mnth1emp	numeric(9)		Employment on the first month of the quarter.
15. mnth2emp	numeric(9)		Employment on the second month of the quarter.
16. mnth3emp	numeric(9)		Employment on the third month of the quarter.
17. topempav	numeric(9)		Average employment for the quarter or year of the top employer for the specified geography and industry code.
18. totwage	numeric(14)		The total wages paid to all workers in the industry for the period.
19. avgwk wage	numeric(8)		Average weekly wage per worker.
20. taxwage	numeric(14)		Total taxable wages.
21. contrib	numeric(12)		Employer contributions to the UI fund.
22. suppress	char(1)		An indicator that the record contains confidential data that must be suppressed for public use: 0 = Not Suppressed; 1 = Suppress employment & wage data
Constraint Information			
1. Foreign Key (industry.stfips, industry.areatype, industry.area) references (geog.stfips, geog.areatype, geog.area)			
2. Foreign Key (industry.periodyear, industry.periodtype, industry.period) references (period.periodyear, period.periodtype, period.period)			
3. Foreign Key (industry.stfips, industry.ownership) references (ownershp.stfips, ownershp.ownership)			
4. Foreign Key (industry.stfips, industry.indcodty, industry.indcode) references (indcodes.stfips, indcodes.codetype, indcodes.code)			

iomatrix			
Table of the industry-occupation employment matrix.			
Field Name	Type	Constraint	Description
1. stfips	char(2)	Primary Key, 1, 2, 3	State FIPS Code
2. areatype	char(2)	Primary Key, 1	Code describing type of geographic area: e.g. county, service delivery area, MSA.
3. area	char(6)	Primary Key, 1	A 6-digit code assigned to represent a geographic area. Front fill with zeroes.
4. periodid	char(2)	Primary Key, 2, 3	A 2-digit code identifying the type of period used.
5. matincode	char(15)	Primary Key, 2	Matrix industry code from Micro Matrix.
6. matocode	char(10)	Primary Key, 3	Matrix occupation code from Micro Matrix. For codes not 10 characters long, left justify and blank (ASCII 32) fill.
7. estemp	numeric(9)		The base-year employment estimate.
8. projemp	numeric(9)		The projected-year employment estimate.
9. pctestind	numeric(6,2)		The percentage of the base-year employment estimate for the indicated industry represented by the base-year employment estimate for the indicated occupation within that industry.
10. pctestocc	numeric(6,2)		The percentage of the base-year employment estimate for the indicated occupation represented by the base-year employment estimate for the indicated industry within that occupation.
11. pctprojind	numeric(6,2)		The percentage of projected employment for the indicated industry represented by projected employment for the indicated occupation within that industry.
12. pctprojocc	numeric(6,2)		The percentage of the projected employment estimate for the indicated occupation represented by the projected employment estimate for the indicated industry within that occupation.
13. nchg	numeric(9)		Numeric Change between the projected estimate and the base estimate.
14. pchg	numeric(7,4)		Percent change over period. $((projemp-estemp)/estemp)*100$
15. growrate	numeric(7,4)		A value representing the annualized percentage growth. This value is calculated by dividing the Projected year by the Base year. Taking the results to the 1/n power, where n is the number of years in the projection period, subtracting 1 from the result and multiplying that result by 100. Ie. $grrate=(((projemp/estemp)^{1/n})-1)*100$
16. growcode	char(2)	4	A descriptor to allow for state specific interpretation of the industry or occupation.
17. aopeng	numeric(9)		A value representing the annual average openings due to growth. The value is calculated by subtracting the Base Year Employment estimate from the Projected Year Employment estimate, then dividing by the number of years in the projection period. $(projemp-estemp)/No. years.$
18. aopenr	numeric(9)		A value representing the annual average openings due to net replacement. The value is calculated by dividing the total openings due to net replacements (in the projection period) by the number of years in the projection period.
19. aopent	numeric(9)		A value representing the total annual average openings due to growth and net replacements.
20. suppress	char(1)		An indicator that the record contains confidential data that must be suppressed for public use: 0 = Not Confidential; 1 = Confidential

iomatrix

Table of the industry-occupation employment matrix.

Field Name	Type	Constraint	Description
Constraint Information			
1. Foreign Key (iomatrix.stfips, iomatrix.areatype, iomatrix.area) references (geog.stfips, geog.areatype, geog.area)			
2. Foreign Key (iomatrix.stfips, iomatrix.matincode, iomatrix.periodid) references (inndir.stfips, inndir.matincode, inndir.periodid)			
3. Foreign Key (iomatrix.stfips, iomatrix.matocode, iomatrix.periodid) references (occdir.stfips, occdir.matocode, occdir.periodid)			
4. Foreign Key (iomatrix.growcode) references (growcode.growcode)			

jvs

Table of vacancy estimates from the Job Vacancy Survey with main levels of data cube identifying each cell.

Field Name	Type	Constraint	Description
1. stfips	char(2)	Primary Key, 1, 3, 4, 5, 6	State FIPS Code
2. areatype	char(2)	Primary Key, 1	Code describing type of geographic area: e.g. county, service delivery area, MSA.
3. area	char(6)	Primary Key, 1	A 6-digit code assigned to represent a geographic area. Front fill with zeroes.
4. periodyear	char(4)	Primary Key, 2	Character representation of calendar year (e.g. 2006).
5. periodtype	char(2)	Primary Key, 2	Code describing type of period (e.g. annual, quarterly, monthly, etc.)
6. period	char(2)	Primary Key, 2	Period Code. Will be set to 00 where periodtype is annual.
7. ownership	char(2)	Primary Key, 3	Ownership is a 2-digit indicator that identifies the employer by public or private ownership.
8. indcodty	char(2)	Primary Key, 4	Code describing the industry code type.
9. indcode	char(6)	Primary Key, 4	A code used in the classification of establishments by type of activity in which they are engaged. For codes not 6 characters long, left justify and blank (ASCII 32) fill. Either SIC or NAICS code can be used.
10. occodetype	char(2)	Primary Key, 5	Code describing the type of occupational coding system
11. occcode	char(10)	Primary Key, 5	The occupational classification code used by the state for this data element. This code could be a DOT, OES, SOC, CENSUS, etc. For codes not 10 characters long, left justify and blank (ASCII 32) fill.
12. sizeclass	char(2)	Primary Key, 6	A 2-digit code identifying the size of the establishment's workforce.
13. jvscellid	Int		Unique ID for relating jvsaddit to jvs
14. vacancies	numeric(7)		Estimated number of openings.
15. vacanrate	numeric(3,1)		Estimated rate of openings
16. medianwage	numeric(3,2)		Median wage offered.
17. meanwage	numeric(3,2)		Mean wage offered.
18. minwage	numeric(3,2)		Min wage offered.
19. maxwage	numeric(3,2)		Max wage offered.
20. suppress	char(1)		An indicator that the record contains confidential data that must be suppressed for public use. 0 = Not Suppressed; 1 = Suppress data

Constraint Information

- Foreign Key (jvs.stfips, jvs.areatype, jvs.area) references (geog.stfips, geog.areatype, geog.area)
- Foreign Key (jvs.periodyear, jvs.periodtype, jvs.period) references (period.periodyear, period.periodtype, period.period)
- Foreign Key (jvs.stfips, jvs.ownership) references (ownershp.stfips, ownershp.ownership)
- Foreign Key (jvs.stfips, jvs.indcodty, jvs.indcode) references (indcodes.stfips, indcodes.codetype, indcodes.code)
- Foreign Key (jvs.stfips, jvs.occodetype, jvs.occcode) references (occcodes.stfips, occcodes.codetype, occcodes.code)
- Foreign Key (jvs.stfips, jvs.sizeclass) references (sizeclas.stfips, sizeclas.sizeclass)

jvsaddit

Table of vacancy estimates from the Job Vacancy Survey with additional data cell level detail.

Field Name	Type	Constraint	Description
1. stfips	char(2)	Primary Key, 1, 2, 3, 4, 5	State FIPS Code
2. jvscellid	int	Primary Key, 1	Unique ID for relating jvsaddit to jvs
3. partfull	char(1)	Primary Key	Code indicating whether or not openings are part or full time: 0 = both; 1 = part-time; 2 = full-time
4. permseas	char(1)	Primary Key	Code indicating whether or not openings are permanent or seasonal: 0 = both; 1 = seasonal; 2 = permanent
5. lengthopen	char(1)	Primary Key, 2	Code indicating range of how long vacancy has been open.
6. edulevel	char(1)	Primary Key, 3	Code indicating education level required.
7. explevel	char(1)	Primary Key, 4	Code indicating experience level required.
8. certreq	char(1)	Primary Key	Code indicating if certificate is required: 0 = both; 1 = certificate required; 2 = no certificate required
9. benefit	char(1)	Primary Key, 5	Code indicating benefit offered.
10. percentopn	numeric(3)		Percent of vacancies with criteria (e.g.)
11. suppress	char(1)		An indicator that the record contains confidential data that must be suppressed for public use. 0 = Not Suppressed; 1 = Suppress data

Constraint Information

1. Foreign Key (jvsaddit.stfips, jvsaddit.jvscellid) references (jvs.stfips, jvs.jvscellid)
2. Foreign Key (jvsaddit.stfips, jvsaddit.lengthopen) references (lengthopen .stfips, lengthopen.lengthopen)
3. Foreign Key (jvsaddit.stfips, jvsaddit.edulevel) references (edulevel.stfips, edulevel.edulevel)
4. Foreign Key (jvsaddit.stfips, jvsaddit.explevel) references (explevel.stfips, explevel.explevel)
5. Foreign Key (jvsaddit.stfips, jvsaddit.benefit) references (benefit.stfips, benefit.benefit)

labforce			
Employment and unemployment estimates reported from the Local Area Unemployment Statistics.			
Field Name	Type	Constraint	Description
1. stfips	char(2)	Primary Key, 1	State FIPS Code
2. areatype	char(2)	Primary Key, 1	Code describing type of geographic area: e.g. county, service delivery area, MSA.
3. area	char(6)	Primary Key, 1	A 6-digit code assigned to represent a geographic area. Front fill with zeroes.
4. periodyear	char(4)	Primary Key, 2	Character representation of calendar year (e.g. 2006).
5. periodtype	char(2)	Primary Key, 2	Code describing type of period (e.g. annual, quarterly, monthly, etc.)
6. period	char(2)	Primary Key, 2	Period Code. Will be set to 00 where periodtype is annual.
7. adjusted	char(1)	Primary Key	Indicates adjusted data. 0 = Not Adjusted; 1 = Adjusted
8. prelim	char(1)	Primary Key	Indicates preliminary data: 0 = Not preliminary; 1 = preliminary
9. benchmark	char(4)	3	Benchmark year of the data.
10. laborforce	numeric(9)		Civilian labor force.
11. emplab	numeric(9)		Number employed by place of residence.
12. unemp	numeric(9)		Number unemployed.
13. unemprate	numeric(5,1)		Unemployment rate.
Constraint Information			
1. Foreign Key (labforce.stfips, labforce.areatype, labforce.area) references (geog.stfips, geog.areatype, geog.area)			
2. Foreign Key (labforce.periodyear, labforce.periodtype, labforce.period) references (period.periodyear, period.periodtype, period.period)			
3. Foreign Key (labforce.benchmark) references (benmark.benchmark)			
Table Notes			
1: PLEASE NOTE: If aggregating smaller area records into larger areas, do not use rounded data records. This is particularly important for applications that sum records across areas.			

licauth			
Table of licensing authorities for the state.			
Field Name	Type	Constraint	Description
1. stfips	char(2)	Primary Key, 1	State FIPS Code
2. areatype	char(2)	Primary Key, 1	Code describing type of geographic area: e.g. county, service delivery area, MSA.
3. area	char(6)	Primary Key, 1	A 6-digit code assigned to represent a geographic area. Front fill with zeroes.
4. licauthid	char(3)	Primary Key	A unique identifier for the licensing authority.
5. name1	varchar(75)		Name of Licensing Authority.
6. name2	varchar(75)		Second line for name of licensing authority.
7. name3	varchar(75)		Third line for name of licensing authority.
8. address1	varchar(75)		Address of licensing authority.
9. address2	varchar(75)		Second line for address.
10. city	varchar(30)		City.
11. st	char(2)		State.
12. zip	char(5)		Postal zip code for the business address.
13. zipext	char(4)		Four digit zip code extension.
14. latitude	numeric(11,6)		Physical location - latitude
15. longitude	numeric(11,6)		Physical location - longitude
16. geopcode	char(1)	2	Physical location - geocode precision level code. The precision of the longitude and latitude coordinates.
17. telephone	varchar(10)		Phone number.
18. teleext	varchar(10)		Phone number extension.
19. fax	varchar(10)		Licensing agency fax number.
20. contact	varchar(50)		Name of person to contact at the licensing agency.
21. email	varchar(70)		Licensing agency e-mail address.
22. url	varchar(200)		Uniform Resource Locator for the licensing agency.
Constraint Information			
1. Foreign Key (licauth.stfips, licauth.areatype, licauth.area) references (geog.stfips, geog.areatype, geog.area)			
2. Foreign Key (licauth.geopcode) references (geocode.geopcode)			

license			
Table of individual licenses authorized by a state.			
Field Name	Type	Constraint	Description
1. stfips	char(2)	Primary Key, 1	State FIPS Code
2. areatype	char(2)	1	Code describing type of geographic area: e.g. county, service delivery area, MSA.
3. area	char(6)	1	A 6-digit code assigned to represent a geographic area. Front fill with zeroes.
4. licenseid	char(10)	Primary Key	A code that identifies the license for the specific occupational title.
5. licauthid	char(3)	1	A unique code that identifies the licensing authority.
6. lictitle	varchar(75)		License title.
7. licdesc	varchar(MAX)		Narrative description of the license.
8. licenseurl	char(200)		Uniform Resource Locator for license information
Constraint Information			
1. Foreign Key (license.stfips, license.areatype, license.area, license.licauthid) references (licauth.stfips, licauth.areatype, licauth.area, licauth.licauthid)			

lichist			
Table of the number of licenses awarded for a selected occupation.			
Field Name	Type	Constraint	Description
1. stfips	char(2)	Primary Key, 1, 3	State FIPS code.
2. areatype	char(2)	1	Code describing type of geographic area: e.g. county, service delivery area, MSA.
3. area	char(6)	1	A 6-digit code assigned to represent a geographic area. Front fill with zeroes.
4. periodyear	char(4)	Primary Key, 2	Character representation of calendar year (e.g. 1996).
5. periodtype	char(2)	Primary Key, 2	Code describing type of period (e.g. annual, quarterly, monthly, etc.)
6. period	char(2)	Primary Key, 2	Period Code. Will be set to '00' where periodtype is annual.
7. licenseid	char(10)	Primary Key, 3	A code that identifies the license for the specific occupational title.
8. licnumtype	char(2)	Primary Key, 4	A code that identifies the type of license information.
9. licnum	numeric(6)		A numerical value that represents the number of licenses awarded.
Constraint Information			
1. Foreign Key (lichist.stfips, lichist.areatype, lichist.area) references (geog.stfips, geog.areatype, geog.area)			
2. Foreign Key (lichist.periodyear, lichist.periodtype, lichist.period) references (period.periodyear, period.periodtype, period.period)			
3. Foreign Key (lichist.stfips, lichist.licenseid) references (license.stfips, license.licenseid)			
4. Foreign Key (lichist.licnumtype) references (licnumty.licnumtype)			

mls			
Mass layoff statistics summary table.			
Field Name	Type	Constraint	Description
1. stfips	char(2)	Primary Key, 1, 3	State FIPS code.
2. areatype	char(2)	Primary Key, 1	Code describing type of geographic area: e.g. county, service delivery area, MSA.
3. area	char(6)	Primary Key, 1	A 6-digit code assigned to represent a geographic area. Front fill with zeroes.
4. periodyear	char(4)	Primary Key, 2	Character representation of calendar year (e.g. 2004)
5. periodtype	char(2)	Primary Key, 2	Code describing type of period (e.g. annual, quarterly, monthly, etc.)
6. period	char(2)	Primary Key, 2	Period Code. Will be set to '00' where periodtype is annual.
7. indcodty	char(2)	Primary Key, 3	Code describing the industry code type.
8. indcode	char(6)	Primary Key, 3	A code used in the classification of establishments by type of activity in which they are engaged. For codes not 6 characters long, left justify and blank (ASCII 32) fill. Either SIC or NAICS code can be used.
9. ownership	char(2)	Primary Key, 4	Ownership is a 2-digit indicator that identifies the employer by public or private ownership.
10. gender	char(1)	Primary Key, 5	Claimant gender.
11. raceethn	char(5)	Primary Key, 6	Code indicating ethnicity and race of claimaints.
12. agegroup	char(2)	Primary Key, 7	Age Group of claimaints.
13. veteran	char(1)	Primary Key, 8	Code for veteran status of claimants.
14. worksite	char(1)	Primary Key, 9	Code for status of worksite: open or closed.
15. prisepcodetype	char(2)	Primary Key, 10	Code indicating which series of separating reason codes the primary separation code belongs to.
16. prisepcd	char(2)	Primary Key, 10	Primary reason code for layoff.
17. separat	numeric(6)		Number of people separated.
18. claimants	numeric(6)		Number of UI claimants.
19. events	numeric(4)		Number of MLS events.
20. suppress	char(1)		An indicator that the record contains confidential data that must be suppressed for public use. 0 = Not Suppressed 1 = Suppress MLS record

mls

Mass layoff statistics summary table.

Field Name	Type	Constraint	Description
Constraint Information			
1. Foreign Key (mls.stfips, mls.areatype, mls.area) references (geog.stfips, geog.areatype, geog.area)			
2. Foreign Key (mls.periodyear, mls.periodtype, mls.period) references (period.periodyear, period.periodtype, period.period)			
3. Foreign Key (mls.stfips, mls.indcodty, mls.indcode) references (indcodes.stfips, indcodes.codetype, indcodes.code)			
4. Foreign Key (mls.stfips, mls.ownership) references (ownershp.stfips,ownershp.ownership)			
5. Foreign Key (mls.gender) references (gender.gender)			
6. Foreign Key (mls.raceethn) references (raceethn.raceethn)			
7. Foreign Key (mls.stfips, mls.agegroup) references (agegroup.stfips, agegroup.agegroup)			
8. Foreign Key ((mls.veteran) references (vetcode.veteran)			
9. Foreign Key (mls.worksite) references (worksite.worksite)			
10. Foreign Key (mls.prisepcodetype.) references (mlssepcd.mlssepctype)			
10. Foreign Key (mls.prisepcd) references (mlssepcd.mlssepcd)			

mlsclaim			
Mass Layoff Statistics claims.			
Field Name	Type	Constraint	Description
1. stfips	char(2)	Primary Key, 1, 6	State FIPS code.
2. areatype	char(2)	1	Code describing type of geographic area: e.g. county, service delivery area, MSA.
3. area	char(6)	1	A 6-digit code assigned to represent a geographic area. Front fill with zeroes.
4. periodyear	char(4)	2	Character representation of calendar year (e.g. 1996).
5. periodtype	char(2)	2	Code describing type of period (e.g. annual, quarterly, monthly, etc.)
6. period	char(2)	2	Period Code. Will be set to '00' where periodtype is annual.
7. uiaccount	char(10)	Primary Key, 6	A unique 10-digit number assigned to individual employers.
8. eventid	char(3)	Primary Key, 6	Code identifying a specific MLS event.
9. ssn	char(9)	Primary Key	Claimant social security number.
10. gender	char(1)	3	Claimant gender.
11. raceethn	char(5)	4	Code indicating ethnicity and race of claimants.
12. birthday	date		Birthday of claimant in the form yyymmdd.
13. veteran	char(1)	5	Code for veteran status of claimant.
14. finalpay	char(1)		Final pay total. Yes/no - this may be a bit field in some rdbms. 0 = No; 1 = Yes
15. claimtype	char(1)		Indicates type of initial unemployment claim: 1 = New Claim; 2 = Additional Claim; 9 = Unknown
16. finalweek	date		Date of the week of final payment in the form yyymmdd.
Constraint Information			
<p>1. Foreign Key (mlsclaim.stfips, mlsclaim.areatype, mlsclaim.area) references (geog.stfips, geog.areatype, geog.area)</p> <p>2. Foreign Key (mlsclaim.periodyear, mlsclaim.periodtype, mlsclaim.period) references (period.periodyear, period.periodtype, period.period)</p> <p>3. Foreign Key (mlsclaim.gender) references (gender.gender)</p> <p>4. Foreign Key (mlsclaim.raceethn) references (raceethn.raceethn)</p> <p>5. Foreign Key (mlsclaim.veteran) references (vetcode.veteran)</p> <p>6. Foreign Key (mlsclaim.stfips, mlsclaim.uiaccount, mlsclaim.eventid) references (mlsevent.stfips, mlsevent.uiaccount, mlsevent.eventid)</p>			

mlsevent			
Mass Layoff Statistics events.			
Field Name	Type	Constraint	Description
1. stfips	char(2)	Primary Key, 1	State FIPS code.
2. areatype	char(2)	1	Code describing type of geographic area: e.g. county, service delivery area, MSA.
3. area	char(6)	1	A 6-digit code assigned to represent a geographic area. Front fill with zeroes.
4. periodyear	char(4)	2	Character representation of calendar year (e.g. 1996).
5. periodtype	char(2)	2	Code describing type of period (e.g. annual, quarterly, monthly, etc.)
6. period	char(2)	2	Period Code. Will be set to '00' where periodtype is annual.
7. uiaccount	char(10)	Primary Key	A unique 10-digit number assigned to individual employers.
8. eventid	char(3)	Primary Key	Event ID.
9. siccode	char(4)	3	A code used in the classification of establishments by type of activity in which they are engaged. This field is left justified and padded with zeroes. A siccode of 9999 means non-classifiable; industry not specified.
10. naicscode	char(6)	10	A code used in the North American Industry Classification System (NAICS).
11. ownership	char(2)	4	Ownership is a 2-digit indicator that identifies the employer by public or private ownership.
12. name1	varchar(35)		Name of firm.
13. name2	varchar(35)		Additional space for firm name.
14. address1	varchar(35)		Address of firm.
15. city	varchar(30)		City.
16. st	char(2)		State.
17. zip	char(9)		Postal zip code for the business address.
18. meeicode	char(1)	5	The meeii code.
19. telephone	char(10)		Telephone number.
20. teleext	varchar(6)		Telephone number extension.
21. worksite	char(1)	6	Code for status of worksite: open or closed.
22. preemp	numeric(6)		Pre-layoff employment.
23. separat	numeric(6)		Number of people separated.
24. prisepcodetype	char(2)	7	Code indicating which series of separation reason codes the primary separation code belongs to.
25. prisepcd	char(2)	7	Primary reason code for layoff.
26. secsepcodetype	char(2)	8	Code indicating which series of separation reason codes the secondary separation code belongs to.
27. secsepcd	char(2)	8	Secondary reason code for layoff.
28. layweek	date		Week in which layoff occurred in form of yyyyymmdd.
29. eventtype	char(1)	9	Code for the type of event.
30. dwvertype	char(1)	11	Code to indicate type of Dislocated worker event.

mlsevent

Mass Layoff Statistics events.

Field Name	Type	Constraint	Description
Constraint Information			
1. Foreign Key (mlsevent.stfips, mlsevent.areatype, mlsevent.area) references (geog.stfips, geog.areatype, geog.area)			
2. Foreign Key (mlsevent.periodyear, mlsevent.periodtype, mlsevent.period) references (period.periodyear, period.periodtype, period.period)			
3. Foreign Key (mlsevent.siccode) references (siccode.siccode)			
4. Foreign Key (mlsevent.stfips, mlsevent.ownership) references (ownership.stfips, ownership.ownership)			
5. Foreign Key (mlsevent.meeicode) references (meeicode.meeicode)			
6. Foreign Key (mlsevent.worksite) references (worksite.worksite)			
7. Foreign Key (mlsevent.prisepcodetype) references (mlssepcd.mlssepcodetype)			
7. Foreign Key (mlsevent.prisepcd) references (mlssepcd.mlssepcd)			
8. Foreign Key (mlsevent.secsepcd) references (mlssepcd.mlssepcd)			
8. Foreign Key (mls.secsepcodetype) references ((mlssepcd.mlssepcodetype)			
9. Foreign Key (mlsevent.eventtype) references (eventtyp.eventtype)			
10. Foreign Key (mlsevent.naiccode) references (naiccode.naiccode)			
11. Foreign Key (mlsevent.dwvertype) references (dwvertyp.dwvertype)			

occprj**DEPRECATED as of v2.6**

Table of occupational employment projections by geographies.

Field Name	Type	Constraint	Description
1. stfips	char(2)	Primary Key, 1, 2	State FIPS code.
2. areatype	char(2)	Primary Key, 1	Code describing type of geographic area: e.g. county, service delivery area, MSA.
3. area	char(6)	Primary Key, 1	A 6-digit code assigned to represent a geographic area. Front fill with zeroes.
4. periodid	char(2)	Primary Key, 2	A 2-digit code identifying the base and projected periods.
5. matocode	char(10)	Primary Key, 2	Matrix occupation code from Micro Matrix. For codes not 10 characters long, left justify and blank (ASCII 32) fill.
6. estocprj	numeric(9)		A value representing a base year employment estimate for an occupation.
7. projocprj	numeric(9)		A numerical value representing the projected year employment estimate for an occupation.
8. grrate	numeric(7,4)		A value representing the annualized percentage growth. This value is calculated by dividing the Projected year by the Base year. Taking the results to the 1/n power, where n is the number of years in the projection period, subtracting 1 from the result and multiplying that result by 100. $100.grrate = (((projocprj/estocprj)^{1/n}) - 1) * 100$
9. nchg	numeric(9)		Numeric Change between the projected estimate and the base estimate.
10. pchg	numeric(7,4)		Percent change over period. $((projocprj - estocprj) / estocprj) * 100$
11. aopeng	numeric(9)		A value representing the annual average openings due to growth. The value is calculated by subtracting the Base Year Employment estimate from the Projected Year Employment estimate, then dividing by the number of years in the projection period. $(projocprj - estocprj) / \text{No. years}$.
12. aopenr	numeric(9)		A value representing the annual average openings due to net replacement. The value is calculated by dividing the total openings due to net replacements (in the projection period) by the number of years in the projection period.
13. aopent	numeric(9)		A value representing the total annual average openings due to growth and net replacements.
14. growcode	char(2)	3	A descriptor to allow for state specific interpretation of the industry or occupation.
15. suppress	char(1)		An indicator that the record contains confidential data that must be suppressed for public use. 0 = Not Suppressed 1 = Suppressed

Constraint Information

- Foreign Key (occprj.stfips, occprj.areatype, occprj.area) references (geog.stfips, geog.areatype, geog.area)
- Foreign Key (occprj.stfips, occprj.matocode, occprj.periodid) references (occdir.stfips, occdir.matocode, occdir.periodid)
- Foreign Key (occprj.stfips, occprj.growcode) references (growcode.stfips, growcode.growcode)

oeswage**DEPRECATED as of v2.6**

Table of wage data by Occupational Employment Statistics occupation.

Field Name	Type	Constraint	Description
1. stfips	char(2)	Primary Key, 1, 3, 4, 5	State FIPS code.
2. areatype	char(2)	Primary Key, 1	Code describing type of geographic area : e.g. county, service delivery area, MSA.
3. area	char(6)	Primary Key, 1	A 6-digit code assigned to represent a geographic area. Front fill with zeroes.
4. periodyear	char(4)	Primary Key, 2	Character representation of calendar year (e.g. 1996).
5. periodtype	char(2)	Primary Key, 2	Code describing type of period (e.g. annual, quarterly, monthly, etc.).
6. period	char(2)	Primary Key, 2	Period Code. Will be set to '00' where periodtype is annual.
7. indcodty	char(2)	Primary Key, 4	Code describing the industry code type.
8. indcode	char(6)	Primary Key, 4	A code used in the classification of establishments by type of activity in which they are engaged. For codes not 6 characters long, left justify and blank (ASCII 32) fill. Either SIC or NAICS code can be used. A siccode of 9999 means non-classifiable; industry not specified.
9. occodetype	char(2)	Primary Key, 3	Code describing the type of occupational coding system.
10. occcode	char(10)	Primary Key, 3	The occupational classification code used by the state for this data element. This code could be a DOT, OES, SOC, CENSUS, etc. For codes not 10 characters long, left justify and blank (ASCII 32) fill.
11. wagesource	char(1)	Primary Key, 5	A code representing the source of the wage data.
12. ratetype	char(1)	Primary Key, 6	Code which identifies the type of wage rate.
13. empcount	numeric(10)		Total employment.
14. response	numeric(6)		Response rate for the occupation's actual or real survey data. Does NOT include imputed data in the rate calculation.
15. mean	numeric(9,2)		Mean wage for the occupation.
16. entrywg	numeric(9,2)		Entry level wage for the occupation, mean of the first third (ALC definition).
17. experience	numeric(9,2)		Experienced level wage for the occupation, mean of upper two thirds (ALC definition).
18. pct10	numeric(9,2)		Wage at tenth percentile.
19. pct25	numeric(9,2)		Wage at twenty-fifth percentile.
20. median	numeric(9,2)		Median wage of the occupation; also the wage at fiftieth percentile.
21. pct75	numeric(9,2)		Wage at seventy-fifth percentile.
22. pct90	numeric(9,2)		Wage at ninetieth percentile.
23. udpct	numeric(3)		User defined percentile.
24. udpctwage	numeric(9,2)		Wage at user defined percentile.
25. udrnglopct	numeric(3)		Low percentile for user defined range.
26. udrnghipct	numeric(3)		High percentile for user defined range.
27. udrngmean	numeric(9,2)		Mean wage for user defined range.
28. wpctrelerr	numeric(6,2)		Relative percent error on wage.
29. epctrelerr	numeric(6,2)		Relative percent error on employment.

oeswage**DEPRECATED as of v2.6**

Table of wage data by Occupational Employment Statistics occupation.

Field Name	Type	Constraint	Description
30. panelcode	char(6)		Reference panel code (yyyymm)
31. suppressoes	char(1)		An indicator that the record contains confidential data that must be suppressed for public use: 0 = Not Suppressed; 1 = Suppress employment data2 = Suppress wage data3 = Suppress employment & wage data
32. meansup	char(1)		Suppress mean wage for the occupation: 0 = Not Suppressed; 2 = Suppress wage data
33. entrywgsup	char(1)		Suppress entry level wage for the occupation: 0 = Not Suppressed; 2 = Suppress wage data
34. experiencesup	char(1)		Suppress experienced level wage for the occupation: 0 = Not Suppressed; 2 = Suppress wage data
35. pct10sup	char(1)		Suppress wage at tenth percentile: 0 = Not Suppressed; 2 = Suppress wage data
36. pct25sup	char(1)		Suppress wage at twenty-fifth percentile: 0 = Not Suppressed; 2 = Suppress wage data
37. mediansup	char(1)		Suppress median wage of the occupation: 0 = Not Suppressed; 2 = Suppress wage data
38. pct75sup	char(1)		Suppress wage at seventy-fifth percentile: 0 = Not Suppressed; 2 = Suppress wage data
39. pct90sup	char(1)		Suppress wage at ninetieth percentile: 0 = Not Suppressed; 2 = Suppress wage data
40. udpctwagesup	char(1)		Suppress wage at user defined percentile: 0 = Not Suppressed; 2 = Suppress wage data
41. udrngmeansup	char(1)		Suppress mean wage for user defined range: 0 = Not Suppressed; 2 = Suppress wage data

Constraint Information

1. Foreign Key (oeswage.stfips, oeswage.areatype, oeswage.area) references (geog.stfips, geog.areatype, geog.area)
2. Foreign Key (oeswage.periodyear, oeswage.periodtype, oeswage.period) references (period.periodyear, period.periodtype, period.period)
3. Foreign Key (oeswage.stfips, oeswage.occodetype, oeswage.occocode) references (occcodes.stfips, occcodes.codetype, occcodes.code)
4. Foreign Key (oeswage.stfips, oeswage.indcodty, oeswage.indcode) references (indcodes.stfips, indcodes.codetype, indcodes.code)
5. Foreign Key (oeswage.stfips, oeswage.wagesource) references (wgsources.stfips, wgsources.wagesource)
6. Foreign Key (oeswage.ratetype) references (ratetype.ratetype)

payment			
Table of Government Transfer Payments.			
Field Name	Type	Constraint	Description
1. stfips	char(2)	Primary Key, 1, 3	State FIPS code.
2. areatype	char(2)	Primary Key, 1	Code describing type of geographic area: e.g. county, service delivery area, MSA.
3. area	char(6)	Primary Key, 1	A 6-digit code assigned to represent a geographic area. Front fill with zeroes.
4. periodyear	char(4)	Primary Key, 2	Character representation of calendar year (e.g. 1996).
5. periodtype	char(2)	Primary Key, 2	Code describing type of period (e.g. annual, quarterly, monthly, etc.)
6. period	char(2)	Primary Key, 2	Period Code. Will be set to '00' where periodtype is annual.
7. paytype	char(2)	Primary Key, 3	A 2-digit code indicating type of payment.
8. amountpaid	numeric(10)		Amount paid in thousands.
Constraint Information			
1. Foreign Key (payment.stfips, payment.areatype, payment.area) references (geog.stfips, geog.areatype, geog.area) 2. Foreign Key (payment.periodyear, payment.periodtype, payment.period) references (period.periodyear, period.periodtype, period.period) 3. Foreign Key (payment.stfips, payment.paytype) references (paytype.stfips, paytype.paytype)			

populatn			
This table contains population estimates for a geographic area and time period.			
Field Name	Type	Constraint	Description
1. stfips	char(2)	Primary Key, 1, 3	State FIPS code.
2. areatype	char(2)	Primary Key, 1	Code describing type of geographic area: e.g. county, service delivery area, MSA.
3. area	char(6)	Primary Key, 1	A 6-digit code assigned to represent a geographic area. Front fill with zeroes.
4. periodyear	char(4)	Primary Key, 2	Character representation of calendar year (e.g. 1996).
5. periodtype	char(2)	Primary Key, 2	Code describing type of period (e.g. annual, quarterly, monthly, etc.)
6. period	char(2)	Primary Key, 2	Period Code. Will be set to '00' where periodtype is annual.
7. popsource	char(1)	Primary Key, 3	Source Code for population data.
8. population	numeric(10)		Number representing the population total for the specified geographic area and time period.
9. releasedate	char(8)		Release Date (yyyymmdd)
Constraint Information			
1. Foreign Key (populatn.stfips, populatn.areatype, populatn.area) references (geog.stfips, geog.areatype, geog.area) 2. Foreign Key (populatn.periodyear, populatn.periodtype, populatn.period) references (period.periodyear, period.periodtype, period.period) 3. Foreign Key (populatn.stfips, populatn.popsourc) references (popsourc.stfips, popsourc.popsourc)			

progcomp			
This table contains information about program completers.			
Field Name	Type	Constraint	Description
1. stfips	char(2)	Primary Key, 2, 3, 4, 5	State FIPS code.
2. areatype	char(2)	4	Code describing type of geographic area: e.g. county, service delivery area, MSA.
3. area	char(6)	4	A 6-digit code assigned to represent a geographic area. Front fill with zeroes.
4. instcode	char(10)	Primary Key, 2	Unique code representing the institution.
5. periodyear	char(4)	Primary Key, 1	Character representation of calendar year (e.g. 1996).
6. periodtype	char(2)	Primary Key, 1	Code describing type of period (e.g. annual, quarterly, monthly, etc.).
7. period	char(2)	Primary Key, 1	Period Code. Will be set to '00' where periodtype is annual.
8. codetype	char(2)	Primary Key, 5	Code describing the type of occupation or training code.
9. code	char(10)	Primary Key, 5	The classification code used by the state for this data element. This code could be DOT, OES, CIP, Cluster, SOC, Census, etc. For codes not 10 character long, left justify and blank (ASCII 32) fill.
10. compltype	char(2)	Primary Key, 3	A 2-digit code representing type of program completer.
11. completers	numeric(8)		Number of program completers.
12. placecomp	varchar(MAX)		Information about post completion labor force status of completers.
Constraint Information			
<ol style="list-style-type: none"> Foreign Key (progcomp.periodyear, progcomp.periodtype, progcomp.period) references (period.periodyear, period.periodtype, period.period) Foreign Key (progcomp.stfips, progcomp.instcode) references (schools.stfips, schools.instcode) Foreign Key (progcomp.stfips,progcomp.compltype) references (compltyp.stfips, compltyp.compltype) Foreign Key (progcomp.stfips, progcomp.areatype, progcomp.area) references (geog.stfips, geog.areatype, geog.area) Foreign Key (progcomp.stfips, progcomp.codetype, progcomp.code) references (occcodes.stfips, occcodes.codetype, occcodes.code) 			

programs			
This table contains information about occupational training			
Field Name	Type	Constraint	Description
1. stfips	char(2)	Primary Key, 1, 3, 4, 5, 6	State FIPS code.
2. areatype	char(2)	5	Code describing type of geographic area: e.g. county, service delivery area, MSA.
3. area	char(6)	5	A 6-digit code assigned to represent a geographic area. Front fill with zeroes.
4. instcode	char(10)	Primary Key, 1	Unique code representing the institution / training provider.
5. codetype	char(2)	Primary Key, 6	Code describing the type of occupation or training code.
6. code	char(10)	Primary Key, 6	The classification code used by the state for this data element. This code could be DOT, OES, CIP, Cluster, SOC, Census, etc. For codes not 10 characters long, left justify and blank (ASCII 32) fill.
7. compltype	char(2)	Primary Key, 4	A 2-digit code representing type of program completed.
8. length	numeric(4)		The length of the training program at the institution (years, months, weeks, etc.)
9. lengthtype	char(2)	3	The identifying code assigned to the program length.
10. progcost	numeric(6)		The cost of the program.
11. progtitle	varchar(100)		Title used by the training provider for the program.
12. progdesc	varchar(MAX)		A narrative summary of the program objective.
13. cipcode	char(10)	2	A 10-digit code assigned to a Classification of Institutional Programs (CIP) program title.
14. url	varchar(200)		Uniform Resource Locator for the program.
15. classroom	char(1)		Classroom instruction: 1 = yes; 0 = no
16. online	char(1)		Online instruction: 1 = yes; 0 = no
17. classtime	char(1)	7	Times class is held; see field values
Constraint Information			
<ol style="list-style-type: none"> Foreign Key (programs.stfips, programs.instcode) references (schools.stfips, schools.instcode) Foreign Key (programs.cipcode) references (cipcode.cipcode) Foreign Key (programs.stfips, programs.lengthtype) references (lentype.stfips, lentype.lengthtype) Foreign Key (programs.stfips, programs.compltype) references (compltyp.stfips, compltyp.compltype) Foreign Key (programs.stfips, programs.areatype, programs.area) references (geog.stfips, geog.areatype, geog.area) Foreign Key (programs.stfips, programs.codetype, programs.code) references (occcodes.stfips, occcodes.codetype, occcodes.code) Foreign Key (programs.classtime) references (classtime.classtime) 			

propval			
Table of property value data by geography and tax type.			
Field Name	Type	Constraint	Description
1. stfips	char(2)	Primary Key, 1, 3	State FIPS code.
2. areatype	char(2)	Primary Key, 1	Code describing type of geographic area: e.g. county, service delivery area, MSA.
3. area	char(6)	Primary Key, 1	A 6-digit code assigned to represent a geographic area. Front fill with zeroes.
4. periodyear	char(4)	Primary Key, 2	Character representation of calendar year (e.g. 1996).
5. periodtype	char(2)	Primary Key, 2	Code describing type of period (e.g. annual, quarterly, monthly, etc.).
6. period	char(2)	Primary Key, 2	Period Code. Will be set to '00' where periodtype is annual.
7. taxtype	char(2)	Primary Key, 3	A 2-digit code identifying the type of tax.
8. propvalue	numeric(15)		Total property value.
9. taxvalue	numeric(15)		Taxable property value.
10. millrate	numeric(6,4)		Tax rate charged per thousand dollars of taxable value.
Constraint Information			
1. Foreign Key (propval.stfips, propval.areatype, propval.area) references (geog.stfips, geog.areatype, geog.area) 2. Foreign Key (propval.periodyear, propval.periodtype, propval.period) references (period.periodyear, period.periodtype, period.period) 3. Foreign Key (propval.stfips, propval.taxtype) references (taxtype.stfips, taxtype.taxtype)			

qwichar

Table of the Quarterly Workforce Indicators (QWI) data.

Field Name	Type	Constraint	Description
1. stfips	char(2)	Primary Key, 1, 3, 4, 6	State FIPS code
2. areatype	char(2)	Primary Key, 1	Code describing type of geographic area
3. area	char(6)	Primary Key, 1	6-digit code assigned to represent a geographic area
4. periodyear	char(4)	Primary Key, 2	Character representation of calendar year
5. periodtype	char(2)	Primary Key, 2	Code describing type of period
6. period	char(2)	Primary Key, 2	Period code; will be set to 00 when periodtype is annual
7. indcodty	char(2)	Primary Key, 3	Code describing the industry code type
8. indcode	char(6)	Primary Key, 3	A code representing the industry
9. ownership	char(2)	Primary Key, 4	2-digit indicator that describes the company by type of ownership - public/private/total
10. gender	char(1)	Primary Key, 5	Code describing the gender
11. agegroup	char(2)	Primary Key, 6	Code describing either a single or range of ages
12. qwiid	integer(0)		Unique identifier for each record within each state

Constraint Information

1. Foreign Key (qwi.stfips,qwi.areatype,qwi.area) references (geog.stfips, geog.areatype, geog.area)
2. Foreign Key (qwi.periodyear, qwi.periodtype, qwi.period) references (period.periodyear, period.periodtype, period.period)
3. Foreign Key (qwi.stfips, qwi.indcodty, qwi.indcode) references (indcodes.stfips, indcodes.codetype, indcodes.code)
4. Foreign Key (qwi.stfips, qwi.ownership) references (ownershp.stfips, ownershp.ownership)
5. Foreign Key (qwi.gender) references (gender.gender)
6. Foreign Key (qwi.stfips, qwi.agegroup) references (agegroup.stfips, agegroup.agegroup)

qwidata			
This table contains summary Quarterly Workforce Indicator (QWI) data.			
Field Name	Type	Constraint	Description
1. stfips	char(2)	Primary Key, 1	State FIPS code
2. qwiid	integer(0)	Primary Key, 1	Unique identifier for each record within each state
3. qwitype	char(2)	Primary Key, 2	Code describing the type of QWI variable
4. qwivalue	numeric(16,2)		The value for the QWI variable
5. qwisup	char(1)	3	Code describing the suppression for the QWI value
Constraint Information			
1. Foreign Key (qwidata.stfips, qwidata.qwiid) references (qwichar.stfips, qwidata.qwiid)			
2. Foreign Key (qwidata.qwitype) references (qwitype.qwitype)			
3. Foreign Key (qwidata.qwisup) references (qwisup.qwisup)			

sales			
Revenue from retail sales.			
Field Name	Type	Constraint	Description
1. stfips	char(2)	Primary Key, 1, 3	State FIPS code.
2. areatype	char(2)	Primary Key, 1	Code describing type of geographic area: e.g. county, service delivery area, MSA.
3. area	char(6)	Primary Key, 1	A 6-digit code assigned to represent a geographic area. Front fill with zeroes.
4. periodyear	char(4)	Primary Key, 2	Character representation of calendar year (e.g. 1996).
5. periodtype	char(2)	Primary Key, 2	Code describing type of period (e.g. annual, quarterly, monthly, etc.).
6. period	char(2)	Primary Key, 2	Period Code. Will be set to '00' where periodtype is annual.
7. salestype	char(2)	Primary Key, 3	Code describing the type of sales statistic. (e.g. Retail sales are coded 01)
8. sales	numeric(15)		Sales Dollar amount.
Constraint Information			
1. Foreign Key (sales.stfips, sales.areatype, sales.area) references (geog.stfips, geog.areatype, geog.area)			
2. Foreign Key (sales.periodyear, sales.periodtype, sales.period) references (period.periodyear, period.periodtype, period.period)			
3. Foreign Key (sales.stfips, sales.salestype) references (salestyp.stfips, salestyp.salestype)			

schools			
Table of training providers in the state.			
Field Name	Type	Constraint	Description
1. stfips	char(2)	Primary Key, 1, 2	State FIPS code.
2. areatype	char(2)	1	Code describing type of geographic area: e.g. county, service delivery area, MSA.
3. area	char(6)	1	A 6-digit code assigned to represent a geographic area. Front fill with zeroes.
4. instcode	char(10)	Primary Key	Unique code representing the institution.
5. insttype	char(2)	2	Identifies the type of training institution (WIA Provider, vocational center, community college, university).
6. instown	char(1)	3	Institution ownership code.
7. instname1	varchar(80)		Primary name of the training institution.
8. instname2	varchar(80)		Secondary name of the training institution.
9. address1	varchar(35)		Address of the training institution.
10. address2	varchar(35)		Address of the training institution.
11. city	varchar(30)		City.
12. st	char(2)		State.
13. zip	char(5)		Postal zip code for the business address.
14. zipext	char(4)		Zipcode extension.
15. latitude	numeric(11,6)		Physical location - latitude
16. longitude	numeric(11,6)		Physical location - longitude
17. geopcode	char(1)	4	Physical location - geocode precision level code. The precision of the longitude and latitude coordinates.
18. telephone	char(10)		Training institution telephone number.
19. teleext	varchar(10)		Training institution telephone extension.
20. fax	char(10)		Training institution fax number.
21. url	varchar(200)		Uniform Resource Locator.
22. contact	varchar(50)		Name of person to contact at the training institution.
23. distancelearn	char(1)		Distance Learn: 1=distance learn or online or correspondence ONLY; 0=otherwise
24. satellitecampus	char(1)		Satellite Campus: 1=yes; 0=no (main campus)
Constraint Information			
1. Foreign Key (schools.stfips, schools.areatype, schools.area) references (geog.stfips, geog.areatype, geog.area)			
2. Foreign Key (schools.stfips, schools.insttype) references (insttype.stfips, insttype.insttype)			
3. Foreign Key (schools.instown) references (instown.instown)			
4. Foreign Key (schools.geopcode) references (geocode.geopcode)			

stfirms

Revised as of v2.6

Table of employers, obtained from a state source, such as the ES-202/QCEW.

Field Name	Type	Constraint	Description
1. stfips	char(2)	Primary Key, 1, 5, 6	State FIPS code.
2. areatype	char(2)	1	Code describing type of geographic area: e.g. county, service delivery area, MSA.
3. area	char(6)	1	A 6-digit code assigned to represent a geographic area. Front fill with zeroes.
4. uiaccount	char(10)	Primary Key	A unique 10-digit number assigned to individual employers.
5. reptunit	char(5)	Primary Key	Assigned to site locations for multi-unit employer.
6. yrqtr	char(6)		Year and quarter time stamp for the file
7. name1	varchar(35)		Legal name of the establishment.
8. name2	varchar(35)		Trade name of the establishment.
9. address1	varchar(35)		Business address of the establishment, line 1.
10. address2	varchar(35)		Business address of the establishment, line 2.
11. city	varchar(30)		City where the establishment is doing business.
12. st	char(2)		State where the establishment is doing business.
13. zip	char(5)		Postal zip code for the business address.
14. zipext	char(4)		Zipcode extension.
15. addressty	char(1)	2	Address type indicator (i.e. physical, mailing,...)
16. latitude	numeric(11,6)		Latitude of location.
17. longitude	numeric(11,6)		Longitude of location.
18. geopcode	char(1)	3	Physical location - geocode precision level code. The precision of the longitude and latitude coordinates.
19. telephone	varchar(10)		Telephone number of the business.
20. teleext	varchar(10)		Telephone extension.
21. employment	numeric(8)		The number of people by establishment.
22. indcodetype	char(2)	4	A code used in the classification of establishments by type of activity in which they are engaged. This field is left justified and padded with zeroes. A siccode of 9999 means non-classifiable; industry not specified.
23. indcode	char(6)	4	A code used in the North American Industry Classification System (NAICS).
24. ownership	char(2)	5	Ownership is a 2-digit indicator that identifies the employer by public or private ownership. The second digit is for state use.
25. sizeclass	char(2)	6	A 2-digit code identifying the size of the establishment's workforce.
26. busdesc	varchar(MAX)		A narrative description of the business activities of the establishment.
27. siccode	char(4)		A code used in the Standard Industry Classification system.
28. naicscode	char(6)		A code used in the North American Industry Classification System (NAICS).
29. axnaicscd	char(1)		Indicates if the NAICS code is an auxiliary NAICS code.

stfirms		Revised as of v2.6	
Table of employers, obtained from a state source, such as the ES-202/QCEW.			
Field Name	Type	Constraint	Description
Constraint Information			
1. Foreign Key (stfirms.stfips, stfirms.areatype, stfirms.area) references (geog.stfips, geog.areatype, geog.area) 2. Foreign Key (stfirms.addressty) references (addressty.addressty) 3. Foreign Key (stfirms.geopcode) references (geocode.geopcode) 4. Foreign Key (stfirms.stfips, stfirms.indcodetype, stfirms.indcode) references (indcodes.stfips, indcodes.codetype, indcodes.code) 5. Foreign Key (stfirms.stfips, stfirms.ownership) references (ownershp.stfips, ownershp.ownership) 6. Foreign Key (stfirms.stfips, stfirms.sizeclass) references (sizeclas.stfips, sizeclas.sizeclass)			

stindprj		DEPRECATED as of v2.6	
Table of short-term employment projections by industry.			
Field Name	Type	Constraint	Description
1. stfips	char(2)	Primary Key, 1, 2, 3	State FIPS code.
2. areatype	char(2)	Primary Key, 1	Code describing type of geographic area: e.g. county, service delivery area, MSA.
3. area	char(6)	Primary Key, 1	A 6-digit code assigned to represent a geographic area. Front fill with zeroes.
4. periodid	char(2)	Primary Key, 2	A 2-digit code identifying the type of period used.
5. matincode	char(15)	Primary Key, 2	Industry matrix code from Micro Matrix.
6. estindst	numeric(9)		A numerical value representing a base year employment estimate for an industry.
7. projindst	numeric(9)		A value representing the projected year employment estimate for an industry.
8. nchg	numeric(9)		Numeric Change between the projected estimate and the base estimate.
9. grrate	numeric(7,4)		A value representing the annual average percentage growth rate. This value is calculated by dividing the Projected year by the Base year. Taking the results to the 1/n power, where n is the number of years in the projection period, subtracting 1 from the result and multiplying that result by 100.(((PROJINDST/ESTINDST)^(1/n)) - 1)*100
10. growcode	char(2)	3	A descriptor to allow for state specific interpretation of the industry or occupation.
11. suppress	char(1)		An indicator that the record contains confidential data that must be suppressed for public use: 0 = Not Suppressed; 1 = Suppressed
Constraint Information			
1. Foreign Key (stindprj.stfips, stindprj.areatype, stindprj.area) references (geog.stfips, geog.areatype, geog.area) 2. Foreign Key (stindprj.stfips, stindprj.matincode, stindprj.periodid) references (inndir.stfips, inndir.matincode, inndir.periodid) 3. Foreign Key (stindprj.stfips, stindprj.growcode) references (growcode.stfips, growcode.growcode)			

stoccpj		DEPRECATED as of v2.6	
Table of short-term occupational employment projections.			
Field Name	Type	Constraint	Description
1. stfips	char(2)	Primary Key, 1, 2, 3	State FIPS code.
2. areatype	char(2)	Primary Key, 1	Code describing type of geographic area: e.g. county, service delivery area, MSA.
3. area	char(6)	Primary Key, 1	A 6-digit code assigned to represent a geographic area. Front fill with zeroes.
4. periodid	char(2)	Primary Key, 2	A 2-digit code identifying the type of period used.
5. matocode	char(10)	Primary Key, 2	Occupation matrix code from Micro Matrix. For codes not 10 characters long, left justify and blank (ASCII 32) fill.
6. estocbst	numeric(9)		A numerical value representing a base year employment estimate for an occupation.
7. projocbst	numeric(9)		A value representing the projected year employment estimate for an occupation.
8. nchg	numeric(9)		Numeric Change between the projected estimate and the base estimate.
9. grrate	numeric(7,4)		A value representing the annual average percentage growth rate. This value is calculated by dividing the Projected year by the Base year. Taking the results to the 1/n power, where n is the number of years in the projection period, subtracting 1 from the result and multiplying that result by 100.(((PROJOCBST/ESTOCBST)^(1/n)) - 1) *100)
10. aopeng	numeric(9)		A value representing the annual average openings due to growth. The value is calculated by subtracting the Base Year Employment estimate from the Projected Year Employment estimate, then dividing by the number of years in the projection period. (PROJOCBST-ESTOCBST/No. years.) Warning: this formula may need to be modified depending on the projection time span.
11. aopenr	numeric(9)		A value representing the annual average openings due to replacement. The value is calculated by dividing the total openings due to replacements (in the projection period) by the number of years in the Projection Period.
12. aopent	numeric(9)		A value representing the total annual average openings.
13. growcode	char(2)	3	A descriptor to allow for state specific interpretation of the industry or occupation.
14. suppress	char(1)		An indicator that the record contains confidential data that must be suppressed for public use: 0 = Not Suppressed; 1 = Suppressed
Constraint Information			
1. Foreign Key (stoccpj.stfips, stoccpj.areatype, stoccpj.area) references (geog.stfips, geog.areatype, geog.area) 2. Foreign Key (stoccpj.stfips, stoccpj.matocode, stoccpj.periodid) references (occdir.stfips, occdir.matocode, occdir.periodid) 3. Foreign Key (stoccpj.stfips, stoccpj.growcode) references (growcode.stfips, growcode.growcode)			

supply			
Completer data for all occupational training providers in the state.			
Field Name	Type	Constraint	Description
1. stfips	char(2)	Primary Key, 1, 3, 5, 6	State FIPS code.
2. areatype	char(2)	Primary Key, 1	Code describing type of geographic area: e.g. county, service delivery area, MSA.
3. area	char(6)	Primary Key, 1	A 6-digit code assigned to represent a geographic area. Front fill with zeroes.
4. periodyear	char(4)	Primary Key, 2	Character representation of calendar year (e.g. 1996).
5. periodtype	char(2)	Primary Key, 2	Code describing type of period (e.g. annual, quarterly, monthly, etc.)
6. period	char(2)	Primary Key, 2	Period Code. Will be set to '00' where periodtype is annual.
7. insttype	char(2)	Primary Key, 3	Identifies the type of training institution (WIA Provider, vocational center, community college, university).
8. instown	char(1)	Primary Key, 4	Institution ownership code.
9. codetype	char(2)	Primary Key, 6	Code describing the type of occupation or training code.
10. code	char(10)	Primary Key, 6	The classification code used by the state for this data element. This code could be DOT, OES, CIP, Cluster, SOC, Census, etc. For codes not 10 characters long, left justify and blank (ASCII 32) fill.
11. compltype	char(2)	Primary Key, 5	A 2-digit code representing type of program completer. (e.g. Completers with Associates Degree are coded as 03)
12. completers	numeric(8)		Number of program completers.
Constraint Information			
1. Foreign Key (supply.stfips, supply.areatype, supply.area) references (geog.stfips, geog.areatype, geog.area) 2. Foreign Key (supply.periodyear, supply.periodtype, supply.period) references (period.periodyear, period.periodtype, period.period) 3. Foreign Key (supply.stfips, supply.insttype) references (insttype.stfips, insttype.insttype) 4. Foreign Key (supply.instown) references (instown.instown) 5. Foreign Key (supply.stfips, supply.compltype) references (compltyp.stfips, compltyp.compltype) 6. Foreign Key (supply.stfips, supply.codetype, supply.code) references (occcodes.stfips, occcodes.codetype, occcodes.code)			

tax			
Revenues from taxes.			
Field Name	Type	Constraint	Description
1. stfips	char(2)	Primary Key, 1, 3	State FIPS code.
2. areatype	char(2)	Primary Key, 1	Code describing type of geographic area: e.g. county, service delivery area, MSA.
3. area	char(6)	Primary Key, 1	A 6-digit code assigned to represent a geographic area. Front fill with zeroes.
4. periodyear	char(4)	Primary Key, 2	Character representation of calendar year (e.g. 1996).
5. periodtype	char(2)	Primary Key, 2	Code describing type of period (e.g. annual, quarterly, monthly, etc.).
6. period	char(2)	Primary Key, 2	Period Code. Will be set to '00' where periodtype is annual.
7. taxtype	char(2)	Primary Key, 3	A 2-digit code identifying type of tax.
8. taxrevenue	numeric(15)		Tax revenues.
Constraint Information			
1. Foreign Key (tax.stfips, tax.areatype, tax.area) references (geog.stfips, geog.areatype, geog.area)			
2. Foreign Key (tax.periodyear, tax.periodtype, tax.period) references (period.periodyear, period.periodtype, period.period)			
3. Foreign Key (tax.stfips, tax.taxtype) references (taxtype.stfips, taxtype.taxtype)			

uiclaims			
Table of the numbers of Unemployment Insurance Claims by geographic area.			
Field Name	Type	Constraint	Description
1. stfips	char(2)	Primary Key, 1, 3, 4, 5	State FIPS code.
2. areatype	char(2)	Primary Key, 1	Code describing type of geographic area: e.g. county, service delivery area, MSA.
3. area	char(6)	Primary Key, 1	A 6-digit code assigned to represent a geographic area. Front fill with zeroes.
4. periodyear	char(4)	Primary Key, 2	Character representation of calendar year (e.g. 1996).
5. periodtype	char(2)	Primary Key, 2	Code describing type of period (e.g. annual, quarterly, monthly, etc.).
6. period	char(2)	Primary Key, 2	Period Code. Will be set to '00' where periodtype is annual.
7. claimtype	char(1)	Primary Key	Code describing the type of claim: 1 = Initial; 2 = Continued; 9 = Unknown
8. occodetype	char(2)	Primary Key, 3	Code describing the type of occupational code.
9. occcode	char(10)	Primary Key, 3	The occupational classification code used by the state for this data element. This code could be DOT, OES, SOC, Census, etc. For codes not 10 characters long, left justify and blank (ASCII 32) fill.
10. indcodty	char(2)	Primary Key, 4	Code describing the type of industry classification code.
11. indcode	char(6)	Primary Key, 4	The industry classification code used by the state for this data element. This code could be SIC or NAICS. For codes not 6 characters long, left justify and blank (ASCII 32) fill.
12. agegroup	char(2)	Primary Key, 5	Code identifying the age group.
13. raceethn	char(5)	Primary Key, 6	Code indicating ethnicity and race of claimants.
14. gender	char(1)	Primary Key, 7	Gender code.
15. claimants	numeric(8)		Number of UI claimants.
16. duration	numeric(4,1)		Average number of weeks of current unemployment.
Constraint Information			
<p>1. Foreign Key (uiclaims.stfips, uiclaims.areatype, uiclaims.area) references (geog.stfips, geog.areatype, geog.area)</p> <p>2. Foreign Key (uiclaims.periodyear, uiclaims.periodtype, uiclaims.period) references (period.periodyear, period.periodtype, period.period)</p> <p>3. Foreign Key (uiclaims.stfips, uiclaims.occodetype, uiclaims.occcode) references (occcodes.stfips, occcodes.codetype, occcodes.code)</p> <p>4. Foreign Key (uiclaims.stfips, uiclaims.indcodty, uiclaims.indcode) references (indcodes.stfips, indcodes.codetype, indcodes.code)</p> <p>5. Foreign Key (uiclaims.stfips, uiclaims.agegroup) references (agegroup.stfips, agegroup.agegroup)</p> <p>6. Foreign Key (uiclaims.raceethn) references (raceethn.raceethn)</p> <p>7. Foreign Key (uiclaims.gender) references (gender.gender)</p>			

url		DEPRECATED as of v2.6	
Listing of uniform resource locators (URL's).			
Field Name	Type	Constraint	Description
1. urlid	char(5)	Primary Key	Unique identifier of the uniform resource locator.
2. url	varchar(200)		Uniform resource locator for the site.
3. urlname	varchar(100)		Name of uniform resource locator site.
4. urldesc	varchar(MAX)		Description of uniform resource locator site.

urllinks		DEPRECATED as of v2.6	
Listing of areas the URL is associated with.			
Field Name	Type	Constraint	Description
1. urlid	char(5)	Primary Key, 2	Unique identifier of the uniform resource locator.
2. stfips	char(2)	Primary Key, 1, 3	State FIPS code.
3. areatype	char(2)	1	Code describing type of geographic area: e.g. county, service delivery area, MSA.
4. area	char(6)	1	A 6-digit code assigned to represent a geographic area. Front fill with zeroes.
5. urltopic	char(3)	3	Uniform resource locator topic for the site.
Constraint Information			
1. Foreign Key (urllinks.stfips, urllinks.areatype, urllinks.area) references (geog.stfips, geog.areatype, geog.area) 2. Foreign Key (urllinks.urlid) references (url.urlid) 3. Foreign Key (urllinks.stfips, urllinks.urltopic) references (urltopic.stfips, urltopic.urltopic)			

wage			
Wage data by occupation, from any source, including OES.			
Field Name	Type	Constraint	Description
1. stfips	char(2)	Primary Key, 1, 3, 4, 5, 7, 8	State FIPS code.
2. areatype	char(2)	Primary Key, 1	Code describing type of geographic area : e.g. county, service delivery area, MSA.
3. area	char(6)	Primary Key, 1	A 6-digit code assigned to represent a geographic area. Front fill with zeroes.
4. periodyear	char(4)	Primary Key, 2	Character representation of calendar year (e.g. 1996).
5. periodtype	char(2)	Primary Key, 2	Code describing type of period (e.g. annual, quarterly, monthly, etc.).
6. period	char(2)	Primary Key, 2	Period Code. Will be set to '00' where periodtype is annual.
7. indcodty	char(2)	Primary Key, 3	Code describing the industry code type.
8. indcode	char(6)	Primary Key, 3	A code used in the classification of establishments by type of activity in which they are engaged. For codes not 6 characters long, left justify and blank (ASCII 32) fill. Either SIC or NAICS code can be used. A siccode of 9999 means non-classifiable; industry not specified.
9. occodetype	char(2)	Primary Key, 4	Code describing the type of occupational code.
10. occcode	char(10)	Primary Key, 4	The occupational classification code code used by the state for this data element. This code could be DOT, OES, SOC, CENSUS, etc. For codes not 10 characters long, left justify and blank (ASCII 32) fill.
11. wagesource	char(1)	Primary Key, 5	A code representing the source of wage data.
12. ratetype	char(1)	Primary Key, 6	Code which identifies the type of wage rate.
13. leveltype	char(1)	Primary Key, 7	The code identifying the type of wage level.
14. stattype	char(2)	Primary Key, 8	Statistical Type identifies the statistical measurement of the occupational wage.
15. wage	numeric(9,2)		A numerical value representing the wage paid for an occupation.
16. respondent	numeric(6)		Number of respondents that data were collected from.
17. empcount	numeric(7)		Total employment.
Constraint Information			
<p>1. Foreign Key (wage.stfips, wage.areatype, wage.area) references (geog.stfips, geog.areatype, geog.area)</p> <p>2. Foreign Key (wage.periodyear, wage.periodtype, wage.period) references (period.periodyear, period.periodtype, period.period)</p> <p>3. Foreign Key (wage.stfips, wage.indcodty, wage.indcode) references (indcodes.stfips, indcodes.codetype, indcodes.code)</p> <p>4. Foreign Key (wage.stfips, wage.occodetype, wage.occcode) references (occcodes.stfips, occcodes.codetype, occcodes.code)</p> <p>5. Foreign Key (wage.stfips, wage.wagesource) references (wgsources.stfips, wgsources.wagesource)</p> <p>6. Foreign Key (wage.ratetype) references (ratetype.ratetype)</p> <p>7. Foreign Key (wage.stfips, wage.leveltype) references (leveltyp.stfips, leveltyp.leveltype)</p> <p>8. Foreign Key (wage.stfips, wage.stattype) references (stattyp.stfips, stattyp.stattype)</p>			

workstop			
Table of data on work stoppages (strikes or lock-outs).			
Field Name	Type	Constraint	Description
1. stfips	char(2)	Primary Key, 1, 3, 4	State FIPS code.
2. areatype	char(2)	Primary Key, 1	Code describing type of geographic area: e.g. county, service delivery area, MSA.
3. area	char(6)	Primary Key, 1	A 6-digit code assigned to represent a geographic area. Front fill with zeroes.
4. periodyear	char(4)	Primary Key, 2	Character representation of calendar year (e.g. 1996).
5. periodtype	char(2)	Primary Key, 2	Code describing type of period (e.g. annual, quarterly, monthly, etc.)
6. period	char(2)	Primary Key, 2	Period Code. Will be set to '00' where periodtype is annual.
7. indcodty	char(2)	Primary Key, 3	Code describing the type of industry code.
8. indcode	char(6)	Primary Key, 3	The industry classification code used by the state for this data element. This code could be SIC or NAICS. For codes not 6 characters long, left justify and blank (ASCII 32) fill.
9. ownership	char(2)	Primary Key, 4	Ownership is a 2-digit indicator that identifies the employer by public or private ownership. The second digit is for state use.
10. stopstatus	char(1)	Primary Key	Describes whether the work stoppage is new or continuing: '1' = new; '2' = ongoing
11. firms	numeric(4)		The number of companies in which work stoppage occurs.
12. workers	numeric(10)		The number of workers involved in the stoppage.
13. daysidle	numeric(6)		Estimated days that workers involved in stoppage have been idle (working time lost).
Constraint Information			
<p>1. Foreign Key (workstop.stfips, workstop.areatype, workstop.area) references (geog.stfips, geog.areatype, geog.area)</p> <p>2. Foreign Key (workstop.periodyear, workstop.periodtype, workstop.period) references (period.periodyear, period.periodtype, period.period)</p> <p>3. Foreign Key (workstop.stfips, workstop.indcodty, workstop.indcode) references (indcodes.stfips, indcodes.codetype, indcodes.code)</p> <p>4. Foreign Key (workstop.stfips, workstop.ownership) references (ownership.stfips, ownership.ownership)</p>			

Crosswalk Tables

cidsxcip		Revised but Deprecated as of v2.6	
Mapping between Career Information Delivery System codes and Classification of Instructional Program codes.			
Field Name	Type	Constraint	Description
1. stfips	char(2)	Primary Key, 1	State FIPS code
2. codetype	char(2)	Primary Key, 1	Code describing the Classification of Instructional Program code type.
3. code	char(10)	Primary Key, 1	A 10-digit code assigned to the Classification of Instructional Programs (CIP) program title.
4. cidscode	char(9)	Primary Key, 2	A 9-digit code assigned to the Career Information Delivery System occupational title.
Constraint Information			
1. Foreign Key (cidsxcip.stfips) references (occcodes.stfips) 1. Foreign Key (cidsxcip.codetype) references (occcodes.codetype) 1. Foreign Key (cidsxcip.code) references (occcodes.code) 2. Foreign Key (cidsxcip.cidscode) references (cidscode.cidscode)			

clsxproj			
Occupation codes by Cluster, and the percentage of that occupation code's employment within each Cluster.			
Field Name	Type	Constraint	Description
1. stfips	char(2)	Primary Key, 1, 2, 3	State FIPS code.
2. areatype	char(2)	Primary Key, 1	Code describing type of geographic area: e.g. county, service delivery area, MSA.
3. area	char(6)	Primary Key, 1	A 6-digit code assigned to represent a geographic area. Front fill with zeroes.
4. cluscode	char(10)	Primary Key, 2	Code assigned to the cluster from the State Units of Analysis.
5. occodetype	char(2)	Primary Key, 3	Code describing the occupational code.
6. occcode	char(10)	Primary Key, 3	The occupational classification code used by the state for this data element. This code could be DOT, OES, SOC, Census, etc. For codes not 10 characters long, left justify and blank (ASCII 32) fill.
7. alloc	numeric(5,2)		Percentage of the occupation code's employment that can be attributed to this Cluster.
Constraint Information			
1. Foreign Key (clsxproj.stfips, clsxproj.areatype, clsxproj.area) references (geog.stfips, geog.areatype, geog.area) 2. Foreign Key (clsxproj.stfips, clsxproj.cluscode) references (cluscode.stfips, cluscode.cluscode) 3. Foreign Key (clsxproj.stfips, clsxproj.occodetype, clsxproj.occocode) references (occcodes.stfips, occcodes.codetype, occcodes.code)			

clsxsupl			
Training program codes and completer types from that training program that have been assigned to a Cluster.			
Field Name	Type	Constraint	Description
1. stfips	char(2)	Primary Key, 1, 2, 3, 5	State FIPS code.
2. areatype	char(2)	Primary Key, 1	Code describing type of geographic area: e.g. county, service delivery area, MSA.
3. area	char(6)	Primary Key, 1	A 6-digit code assigned to represent a geographic area. Front fill with zeroes.
4. periodyear	char(4)	Primary Key, 4	Character representation of calendar year (e.g. 1996).
5. periodtype	char(2)	Primary Key, 4	Code describing type of period (e.g. annual, quarterly, monthly, etc.)
6. period	char(2)	Primary Key, 4	Period Code. Will be set to '00' where periodtype is annual.
7. cluscode	char(10)	Primary Key, 2	Code assigned to the cluster from the State Units of Analysis.
8. codetype	char(2)	Primary Key, 5	Code describing the type of occupation or training code.
9. code	char(10)	Primary Key, 5	The classification code used by the state for this data element. This code could be DOT, OES, CIP, Cluster, SOC, Census, etc. For codes not 10 characters long, left justify and blank (ASCII 32) fill.
10. compltype	char(2)	Primary Key, 3	A 2-digit code representing the type of program completer.
Constraint Information			
<ol style="list-style-type: none"> 1. Foreign Key (clsxsupl.stfips, clsxsupl.areatype, clsxsupl.area) references (geog.stfips, geog.areatype, geog.area) 2. Foreign Key (clsxsupl.stfips, clsxsupl.cluscode) references (cluscode.stfips, cluscode.cluscode) 3. Foreign Key (clsxsupl.stfips, clsxsupl.compltype) references (compltyp.stfips, compltyp.compltype) 4. Foreign Key (clsxsupl.periodyear, clsxsupl.periodtype, clsxsupl.period) references (period.periodyear, period.periodtype, period.period) 5. Foreign Key (clsxsupl.stfips, clsxsupl.codetype, clsxsupl.code) references (occcodes.stfips, occcodes.codetype, occcodes.code) 			

clusxcip		New Table as of v2.6	
Mapping between Department of Education Career Clusters and the Classification of Instructional Programs (CIP).			
Field Name	Type	Constraint	Description
1. stfips	char(2)	Primary Key, 1	State FIPS code
2. codetype	char(2)	Primary Key, 1	Code describing the Classification of Instructional Program codetype.
3. code	char(10)	Primary Key, 1	CIP code
4. clustercode	char(2)	Primary Key, 2	Career Cluster code
Constraint Information			
1. Foreign Key (clusxcip.stfips) references (occcodes.stfips) 1. Foreign Key (clusxcip.codetype) references (occcodes.codetype) 1. Foreign Key (clusxcip.code) references (occcodes.code) 2. Foreign Key (clusxcip.clustercode) references (careerclust.clustercode)			

clusxpath		New Table as of v2.6	
Mapping between Department of Education Career Clusters and Career Pathways.			
Field Name	Type	Constraint	Description
1. clustercode	char(2)	Primary Key, 1	Career Cluster code
2. pathcode	char(4)	Primary Key, 2	Career Pathway code
Constraint Information			
1. Foreign Key (clusxpath.clustercode) references (careerclust.clustercode) 2. Foreign Key (clusxpath.pathcode) references (careerpaths.pathcode)			

clusxsoc		New Table as of v2.6	
Mapping of Department of Education Career Clusters and the Standard Occupational Classification (SOC).			
Field Name	Type	Constraint	Description
1. stfips	char(2)	Primary Key, 1	State FIPS code.
2. codetype	char(2)	Primary Key, 1	Code describing the Standard Occupational Classification codetype.
3. code	char(6)	Primary Key, 1	SOC code
4. clustercode	char(2)	Primary Key, 2	Career Cluster code
Constraint Information			
1. Foreign Key (clusxsoc.stfips) references (occcodes.stfips) 1. Foreign Key (clusxsoc.codetype) references (occcodes.codetype) 1. Foreign Key (clusxsoc.code) references (occcodes.code) 2. Foreign Key (clusxsoc.clustercode) references (careerclust.clustercode)			

dotxcip		DEPRECATED as of v2.6	
Mapping of DOT (occupation) to CIP (training program).			
Field Name	Type	Constraint	Description
1. dotcode	char(9)	Primary Key, 1	A 9-digit code assigned to the Dictionary of Occupational Titles (DOT) occupational title.
2. cipcode	char(10)	Primary Key, 2	A 10-digit code assigned to the Classification of Instructional Programs (CIP) program title.
Constraint Information			
1. Foreign Key (dotxcip.dotcode) references (dotcode.dotcode)			
2. Foreign Key (dotxcip.cipcode) references (cipcode.cipcode)			

dotxcip2000		DEPRECATED as of v2.6	
Mapping of the DOT to CIP 2000.			
Field Name	Type	Constraint	Description
1. dotcode	char(9)	Primary Key, 1	A 9-digit code assigned to the Dictionary of Occupational Titles (DOT) occupational title.
2. cipcode	char(10)	Primary Key, 2	A 10-digit code assigned to the 2000 series Classification of Instructional Programs (CIP) program title.
Constraint Information			
1. Foreign Key (dotxcip2000.dotcode) references (dotcode.dotcode)			
2. Foreign Key ((dotxcip2000.cipcode) references (cip2000.cipcode)			

dotxonet		DEPRECATED as of v2.6	
Relationship between DOT and O*NET occupations.			
Field Name	Type	Constraint	Description
1. dotcode	char(9)	Primary Key, 1	A 9-digit code assigned to the Dictionary of Occupational Titles (DOT) occupational title.
2. onetcode	char(8)	Primary Key, 2	A 6 or 8-digit code* assigned to the Occupational Information Network (O*NET) occupational title. For codes not 8 characters long, left justify and blank (ASCII 32) fill.
Constraint Information			
1. Foreign Key (dotxonet.dotcode) references (dotcode.dotcode)			
2. Foreign Key (dotxonet.onetcode) references (onetcode.onetcode)			

eeo1xcens		DEPRECATED as of v2.6	
Mapping of Equal employment opportunity (eeo) 1 categories to 2000 census codes.			
Field Name	Type	Constraint	Description
1. eeo1cat	char(2)	Primary Key, 1	A 2-digit code assigned to EEO-1 Job Categories
2. censcode	char(4)	Primary Key, 2	A 4-digit code assigned to the Census occupational title
Constraint Information			
1. Foreign Key (eeo1xcens.eeo1cat) references (eeo1cat.eeo1cat)			
2. Foreign Key (eeo1xcens.censcode) references (censcode.censcode)			

eeo1xcens2k		DEPRECATED as of v2.6	
Mapping of equal employment opportunity (eeo) 1 categories to 2000 census codes.			
Field Name	Type	Constraint	Description
1. eeo1cat	char(2)	Primary Key, 1	A 2-digit code assigned to EEO-1 Job Categories
2. censcode	char(4)	Primary Key, 2	A 4-digit code assigned to the 2000 Census occupational title
Constraint Information			
1. Foreign Key (eeo1xcens2k.eeo1cat) references (eeo1cat.eeo1cat) 2. Foreign Key ((eeo1xcens2k.censcode) references (cens2000.censcode)			

eeosxcens		DEPRECATED as of v2.6	
Mapping between equal employment opportunity (eeo) state and local categories to 2000 census code relationship.			
Field Name	Type	Constraint	Description
1. eeostloc	char(2)	Primary Key, 1	A 2-digit code assigned to EEO State and Local Job Categories
2. censcode	char(4)	Primary Key, 2	A 4-digit code assigned to the Census occupational title
Constraint Information			
1. Foreign Key (eeosxcens.eeostloc) references (eeostloc.eeostloc) 2. Foreign Key (eeosxcens.censcode) references (censcode.censcode)			

eeosxcens2k		DEPRECATED as of v2.6	
Mapping of equal employment opportunity (eeo) state and local category to 2000 census codes.			
Field Name	Type	Constraint	Description
1. eeostloc	char(2)	Primary Key, 1	A 2-digit code assigned to EEO State and Local Job Categories
2. censcode	char(4)	Primary Key, 2	A 4-digit code assigned to the 2000 Census occupational title
Constraint Information			
1. Foreign Key (eeosxcens2k.eeostloc) references (eeostloc.eeostloc) 2. Foreign Key (eeosxcens2k.censcode) references (cens2000.censcode)			

layxocc			
Table of lay titles and the associated occupation codes.			
Field Name	Type	Constraint	Description
1. stfips	char(2)	Primary Key, 1	State FIPS code.
2. occodetype	char(2)	Primary Key, 1	Code describing the occupational code.
3. occcode	char(10)	Primary Key, 1	The occupational classification code used by the state for this data element. This code could be DOT, OES, SOC, Census, etc. For codes not 10 characters long, left justify and blank (ASCII 32) fill.
4. laytlcode	char(5)	Primary Key, 2	Code associated with a particular lay title.
Constraint Information			
1. Foreign Key (layxocc.stfips, layxocc.occodetype, layxocc.occcode) references (occcodes.stfips, occcodes.codetype, occcodes.code)			
2. Foreign Key (layxocc.laytlcode) references (laytitle.laytlcode)			

licxocc			
Table mapping state licenses to associated occupations.			
Field Name	Type	Constraint	Description
1. stfips	char(2)	Primary Key, 1, 2, 3	State FIPS code.
2. licenseid	char(10)	Primary Key, 2	A code that identifies the license for the specific occupational title.
3. occodetype	char(2)	Primary Key, 3	Code for Occupation code type.
4. occcode	char(10)	Primary Key, 3	Occupation code.
Constraint Information			
1. Foreign Key (licxocc.stfips) references (stfipstb.stfips)			
2. Foreign Key (licxocc.stfips, licxocc.licenseid) references (license.stfips, license.licenseid)			
3. Foreign Key (licxocc.stfips, licxocc.occodetype, licxocc.occcode) references (occcodes.stfips, occcodes.codetype, occcodes.code)			

matxnaic		Revised but Deprecated as of v2.6	
This table crosswalks Micro Matrix industry codes to NAICS codes.			
Field Name	Type	Constraint	Description
1. stfips	char(2)	Primary Key, 1, 3	State FIPS code.
2. matincode	char(15)	Primary Key, 1	Industry matrix code from Micro Matrix.
3. periodid	char(2)	Primary Key, 1	A 2-digit code identifying the type of period used.
4. indcodetype	char(2)	Primary Key, 2	Code describing the type of industry classification code.
5. indcode	char(6)	Primary Key, 2	The classification code used by the state for this data element. This could be a SIC or NAICS code.
6. subtot	char(1)	3	Sum level of the information.
7. naicscode	char(6)		A 6-digit code used in the North American Industry Classification System (NAICS).
Constraint Information			
1. Foreign Key (matxnaic.stfips, matxnaic.matincode, matxnaic.periodid) references (inndir.stfips, inndir.matincode, inndir.periodid) 2. Foreign Key (matxnaic.indcodetype, matxnaic.indcode) references (indcodes.codetype, indcodes.code) 3. Foreign Key (matxnaic.stfips, matxnaic.subtot) references (indsub.stfips, indsub.subtot)			

matxoes		DEPRECATED as of v2.6	
This table crosswalks Micro Matrix occupation codes to OES codes.			
Field Name	Type	Constraint	Description
1. stfips	char(2)	Primary Key, 1, 3	State FIPS code.
2. matoccode	char(10)	Primary Key, 1	Occupation matrix code from Micro Matrix. For codes not 10 characters long, left justify and blank (ASCII 32) fill.
3. periodid	char(2)	Primary Key, 1	A 2-digit code identifying the type of period used.
4. oescode	char(5)	Primary Key, 2	A 5-digit code assigned to the Occupation Employment Statistics (OES) occupational title.
5. subtot	char(1)	3	Sum level of the information.
Constraint Information			
1. Foreign Key (matxoes.stfips, matxoes.matoccode, matxoes.periodid) references (occdir.stfips, occdir.matoccode, occdir.periodid) 2. Foreign Key (matxoes.oescode) references (oescode.oescode) 3. Foreign Key (matxoes.stfips, matxoes.subtot) references (occsb.stfips, occsb.subtot)			

matxsic		DEPRECATED as of v2.6	
This table crosswalks Micro Matrix industry codes to SIC codes.			
Field Name	Type	Constraint	Description
1. stfips	char(2)	Primary Key, 1, 3	State FIPS code.
2. matincode	char(15)	Primary Key, 1	Industry matrix code from Micro Matrix.
3. periodid	char(2)	Primary Key, 1	A 2-digit code identifying the type of period used.
4. siccode	char(4)	Primary Key, 2	A code used in the classification of establishments by type of activity in which they are engaged. This field is left justified and padded with zeroes. A siccode of 9999 means non-classifiable; industry not specified.
5. subtotal	char(1)	3	Sum level of the information.
Constraint Information			
1. Foreign Key (matxsic.stfips, matxsic.matincode, matxsic.periodid) references (inndir.stfips, inndir.matincode, inndir.periodid) 2. Foreign Key (matxsic.siccode) references (siccode.siccode) 3. Foreign Key (matxsic.stfips, matxsic.subtot) references (indsub.stfips, indsub.subtot)			

matxsoc		Revised but Deprecated as of v2.6	
This table crosswalks Micro Matrix occupation codes to SOC codes.			
Field Name	Type	Constraint	Description
1. stfips	char(2)	Primary Key, 1, 3	State FIPS code.
2. matocode	char(10)	Primary Key, 1	Occupation matrix code from Micro Matrix. For codes not 10 characters long, left justify and blank (ASCII 32) fill.
3. periodid	char(2)	Primary Key, 1	A 2-digit code identifying the type of period used.
4. occodetype	char(2)	Primary Key, 2	Code describing the type of occupation or training classification code.
5. occcode	char(10)	Primary Key, 2	The classification code used by the state for this data element.
6. subtotal	char(1)	3	Sum level of the information.
7. soccode	char(6)		A 6-digit code assigned to a Standard Occupational Classification (SOC) occupational title.
Constraint Information			
1. Foreign Key (matxsoc.stfips, matxsoc.matocode, matxsoc.periodid) references (occdir.stfips, occdir.matocode, occdir.periodid) 2. Foreign Key (matxsoc.occodetype, matxsoc.occocode) references (occcodes.codetype, occcodes.code) 3. Foreign Key (matxsoc.stfips, matxsoc.subtot) references (occsb.stfips, occsb.subtot)			

matxsoc2000		DEPRECATED as of v2.6	
This table crosswalks Micro Matrix occupation codes to SOC2000 codes.			
Field Name	Type	Constraint	Description
1. stfips	char(2)	Primary Key, 1, 3	State FIPS code.
2. matoccode	char(10)	Primary Key, 1	Occupation matrix code from Micro Matrix. For codes not 10 characters long, left justify and blank (ASCII 32) fill.
3. periodid	char(2)	Primary Key, 1	A 2-digit code identifying the type of period used.
4. soccode	char(6)	Primary Key, 2	A 6-digit code assigned to a Standard Occupational Classification (SOC) 2000 series occupational title.
5. subtot	char(1)	3	Sum level of the information.
Constraint Information			
1. Foreign Key (matxsoc2000.stfips, matxsoc2000.matoccode, matxsoc2000.periodid) references (occdir.stfips, occdir.matoccode, occdir.periodid) 2. Foreign Key (matxsoc2000.soccode) references (soccode.soccode) 3. Foreign Key (matxsoc2000.stfips, matxsoc2000.subtot) references (occssub.stfips, occsub.subtot)			

mocxsoc		Revised as of v2.6	
Table mapping Military Occupational Classification (MOC) to Standard Occupational Classification (SOC).			
Field Name	Type	Constraint	Description
1. stfips	char(2)	Primary Key, 1	State FIPS code
2. codetype	char(2)	Primary Key, 1	Code describing the Standard Occupational Classification codetype.
3. code	char(6)	Primary Key, 1	A 6-digit code assigned to the Standard Occupational Classification (SOC) occupational title.
4. svc	char(1)	Primary Key, 2	Service Branch.
5. mpc	char(1)	Primary Key, 2	Military Personnel Category.
6. status	char(1)	Primary Key, 2	Military Occupation Status: A = Active occupation; O = Obsolete occupation
7. moccode	char(10)	Primary Key, 2	A 10-digit Military Occupational Classification.
Constraint Information			
1. Foreign Key (mocxsoc.stfips) references (occcodes.stfips) 1. Foreign Key (mocxsoc.codetype) references (occcodes.codetype) 1. Foreign Key (mocxsoc.code) references (occcodes.code) 2. Foreign Key (mocxsoc.svc) references (moccode.svc) 2. Foreign Key (mocxsoc.status) references (moccode.status) 2. Foreign Key (mocxsoc.mpc) references (moccode.mpc) 2. Foreign Key (mocxsoc.moccode) references (moccode.moccode)			

oesxcens		DEPRECATED as of v2.6	
Table mapping OES codes to Census codes.			
Field Name	Type	Constraint	Description
1. oescode	char(5)	Primary Key, 1	A 5-digit code assigned to the Occupational Employment Statistics (OES) occupational title.
2. censcode	char(4)	Primary Key, 2	A 4-digit code assigned to the Census occupational title.
Constraint Information			
1. Foreign Key (oesxcens.oescode) references (oescode.oescode)			
2. Foreign Key (oesxcens.censcode) references (censcode.censcode)			

oesxcens2k		DEPRECATED as of v2.6	
Table mapping Occupational Employment Statistics (OES) codes to 2000 series Census Occupation codes.			
Field Name	Type	Constraint	Description
1. oescode	char(5)	Primary Key, 1	A 5-digit code assigned to the Occupational Employment Statistics (OES) occupational title.
2. censcode	char(4)	Primary Key, 2	A 4-digit code assigned to the 2000 Census occupational title.
Constraint Information			
1. Foreign Key (oesxcens2k.oescode) references (oescode.oescode)			
2. Foreign Key (oesxcens2k.censcode) references (cens2000.censcode)			

oesxcids		DEPRECATED as of v2.6	
Table mapping the OES-to-CIDS relationship.			
Field Name	Type	Constraint	Description
1. oescode	char(5)	Primary Key, 1	A 5-digit code assigned to the Occupational Employment Statistics (OES) occupational title.
2. cidscodes	char(9)	Primary Key, 2	A 9-digit code assigned to the Career Information Delivery System occupational title.
Constraint Information			
1. Foreign Key (oesxcids.oescode) references (oescode.oescode)			
2. Foreign Key (oesxcids.cidscodes) references (cidscodes.cidscodes)			

oesxcip		DEPRECATED as of v2.6	
Table mapping OES codes to CIP codes.			
Field Name	Type	Constraint	Description
1. oescode	char(5)	Primary Key, 1	A 5-digit code assigned to the Occupational Employment Statistics (OES) occupational title.
2. cipcode	char(10)	Primary Key, 2	A 10-digit code assigned to a Classification of Instructional Programs (CIP) program title.
Constraint Information			
1. Foreign Key (oesxcip.oescode) references (oescode.oescode)			
2. Foreign Key (oesxcip.cipcode) references (cipcode.cipcode)			

oesxcip2000		DEPRECATED as of v2.6	
Table mapping OES codes to CIP2000 codes.			
Field Name	Type	Constraint	Description
1. oescode	char(5)	Primary Key, 1	A 5-digit code assigned to the Occupational Employment Statistics (OES) occupational title.
2. cipcode	char(10)	Primary Key, 2	A 10-digit code assigned to a 2000 series Classification of Instructional Programs (CIP) program title.
Constraint Information			
1. Foreign Key (oesxcip2000.oescode) references (oescode.oescode)			
2. Foreign Key (oesxcip2000.cipcode) references (cip2000.cipcode)			

oesxdot		DEPRECATED as of v2.6	
Table mapping OES codes to DOT codes.			
Field Name	Type	Constraint	Description
1. oescode	char(5)	Primary Key, 1	A 5-digit code assigned to the Occupational Employment Statistics (OES) occupational title.
2. dotcode	char(9)	Primary Key, 2	A 9-digit code assigned to a Dictionary of Occupational Titles (DOT) occupational title.
Constraint Information			
1. Foreign Key (oesxdot.oescode) references (oescode.oescode)			
2. Foreign Key (oesxdot.dotcode) references (dotcode.dotcode)			

oesxjob		DEPRECATED as of v2.6	
Mapping of OES codes to Job Family codes.			
Field Name	Type	Constraint	Description
1. oescode	char(5)	Primary Key, 1	A 5-digit code assigned to the Occupational Employment Statistics (OES) occupational title.
2. jobfamily	char(2)	Primary Key, 2	Job Family code.
Constraint Information			
1. Foreign Key (oesxjob.oescode) references (oescode.oescode)			
2. Foreign Key (oesxjob.jobfamily) references (jobfamily.jobfamily)			

oesxonet		DEPRECATED as of v2.6	
Table mapping OES codes to O*NET codes.			
Field Name	Type	Constraint	Description
1. oescode	char(5)	Primary Key, 1	A 5-digit code assigned to the Occupational Employment Statistics (OES) occupational title.
2. onetcode	char(8)	Primary Key, 2	A 6 or 8-digit code* assigned to the Occupational Information Network (O*NET) occupational title. For codes not 8 characters long, left justify and blank (ASCII 32) fill.
Constraint Information			
1. Foreign Key (oesxonet.oescode) references (oescode.oescode)			
2. Foreign Key (oesxonet.onetcode) references (onetcode.onetcode)			
Table Notes			
1: Length of onetcode depends on which version of O*NET codes you are using.			

oesxsoc		DEPRECATED as of v2.6	
Table mapping OES codes to SOC codes.			
Field Name	Type	Constraint	Description
1. oescode	char(5)	Primary Key, 1	A 5-digit code assigned to the Occupational Employment Statistics (OES) occupational title.
2. soccode	char(6)	Primary Key, 2	A 6-digit code assigned to a Standard Occupational Classification (SOC) occupational title.
Constraint Information			
1. Foreign Key (oesxsoc.oescode) references (oescode.oescode)			
2. Foreign Key (oesxsoc.soccode) references (soccode.soccode)			

oesxsoc2000		DEPRECATED as of v2.6	
Table mapping OES codes to SOC2000 codes.			
Field Name	Type	Constraint	Description
1. oescode	char(5)	Primary Key, 1	A 5-digit code assigned to the Occupational Employment Statistics (OES) occupational title.
2. soccode	char(6)	Primary Key, 2	A 6-digit code assigned to a Standard Occupational Classification (SOC) occupational title.
Constraint Information			
1. Foreign Key (oesxsoc2000.oescode) references (oescode.oescode)			
2. Foreign Key (oesxsoc2000.soccode) references (soc2000.soccode)			

sicxnaic		DEPRECATED as of v2.6	
Table of SIC-to-NAICS code relationships.			
Field Name	Type	Constraint	Description
1. siccode	char(4)	Primary Key, 1	A code used in the classification of establishments by type of activity in which they are engaged. This field is left justified and padded with zeroes. A siccode of 9999 means non-classifiable; industry not specified.
2. naicscode	char(6)	Primary Key, 2	A code used in the North American Industry Classification System (NAICS).
Constraint Information			
1. Foreign Key (sicxnaic.siccode) references (siccode.siccode)			
2. Foreign Key (sicxnaic.naicscode) references (naiccode.naicscode)			

soc2000xdot		DEPRECATED as of v2.6	
Table mapping SOC2000 codes to DOT codes.			
Field Name	Type	Constraint	Description
1. soccode	char(6)	Primary Key, 1	A 6-digit code assigned to the Standard Occupational Classification (SOC) 2000 series occupational title.
2. dotcode	char(9)	Primary Key, 2	A 9-digit code assigned to a Dictionary of Occupational Titles (DOT) occupational title.
Constraint Information			
1. Foreign Key (soc2000xdot.soccode) references (soc2000.soccode)			
2. Foreign Key (soc2000xdot.dotcode) references (dotcode.dotcode)			

soc2000xjob			DEPRECATED as of v2.6
Table mapping SOC2000 codes to Job Family codes.			
Field Name	Type	Constraint	Description
1. soccode	char(6)	Primary Key, 1	A 6-digit code assigned to the Standard Occupational Classification (SOC) 2000 series occupational title.
2. jobfamily	char(2)	Primary Key, 2	Job Family code.
Constraint Information			
1. Foreign Key (soc2000xjob.soccode) references (soc2000.soccode)			
2. Foreign Key (soc2000xjob.jobfamily) references (jobfamily.jobfamily)			

soc2kxcens2k			DEPRECATED as of v2.6
Table mapping Standard Occupational Classification (SOC 2000) to 2000 Census Occupation codes.			
Field Name	Type	Constraint	Description
1. soccode	char(6)	Primary Key, 1	A 6-digit code assigned to the 2000 series Standard Occupational Classification (SOC) occupational title.
2. censcode	char(4)	Primary Key, 2	A 4-digit code assigned to the 2000 series Census occupational title.
Constraint Information			
1. Foreign Key (soc2kxcens2k.soccode) references (soc2000.soccode)			
2. Foreign Key (soc22kxcens2k.censcode) references (cens2000.censcode)			

socxcens			Revised but Deprecated as of v2.6
Table mapping SOC codes to Census codes.			
Field Name	Type	Constraint	Description
1. stfips	char(2)	Primary Key, 1	State FIPS code
2. codetype	char(2)	Primary Key, 1	Code describing the Standard Occupational Classification system used.
3. code	char(6)	Primary Key, 1	A 6-digit code assigned to the Standard Occupational Classification (SOC) occupational title.
4. censcode	char(4)	Primary Key, 2	A 4-digit code assigned to the Census occupational title.
Constraint Information			
1. Foreign Key (socxcens.stfips) references (occcodes.stfips)			
1. Foreign Key (socxcens.codetype) references (occcodes.codetype)			
1. Foreign Key (socxcens.code) references (occcodes.code)			
2. Foreign Key (socxcens.censcode) references (censcode.censcode)			

socxcids		Revised but Deprecated as of v2.6	
Table mapping SOC codes to CIDS codes.			
Field Name	Type	Constraint	Description
1. stfips	char(2)	Primary Key, 1	State FIPS code
2. codetype	char(2)	Primary Key, 1	Code describing the occupational code.
3. code	char(6)	Primary Key, 1	A 6-digit code assigned to the Standard Occupational Classification (SOC) occupational title.
4. cidscod	char(9)	Primary Key, 2	A 9-digit code assigned to the Career Information Delivery System occupational title.
Constraint Information			
1. Foreign Key (socxcids.stfips) references (occcodes.stfips) 1. Foreign Key (socxcids.codetype) references (occcodes.codetype) 1. Foreign Key (socxcids.code) references (occcodes.code) 2. Foreign Key (socxcids.cidscod) references (cidscod.cidscod)			

socxcip		Revised but Deprecated as of v2.6	
Table mapping SOC codes to CIP codes.			
Field Name	Type	Constraint	Description
1. stfips	char(2)	Primary Key, 1	State FIPS code
2. codetype	char(2)	Primary Key, 1	Code describing the occupational code.
3. code	char(6)	Primary Key, 1	A 6-digit code assigned to the Standard Occupational Classification (SOC) occupational title.
4. cipcode	char(10)	Primary Key, 2	A 10-digit code assigned to a Classification of Instructional Programs (CIP) program title.
Constraint Information			
1. Foreign Key (socxcip.stfips) references (occcodes.stfips) 1. Foreign Key (socxcip.codetype) references (occcodes.codetype) 1. Foreign Key (socxcip.code) references (occcodes.code) 2. Foreign Key (socxcip.cipcode) references (cipcode.cipcode)			

socxdot		DEPRECATED as of v2.6	
Table mapping SOC codes to DOT codes.			
Field Name	Type	Constraint	Description
1. soccode	char(6)	Primary Key, 1	A 6-digit code assigned to the Standard Occupational Classification (SOC) occupational title.
2. dotcode	char(9)	Primary Key, 2	A 9-digit code assigned to a Dictionary of Occupational Titles (DOT) occupational title.
Constraint Information			
1. Foreign Key (socxdot.soccode) references (soccode.soccode) 2. Foreign Key (socxdot.dotcode) references (dotcode.dotcode)			

socxjob		DEPRECATED as of v2.6	
Table mapping SOC codes to Job Families.			
Field Name	Type	Constraint	Description
1. soccode	char(6)	Primary Key, 1	A 6-digit code assigned to the Standard Occupational Classification (SOC) occupational title.
2. jobfamily	char(2)	Primary Key, 2	Job Family code.
Constraint Information			
1. Foreign Key (socxjob.soccode) references (soccode.soccode) 2. Foreign Key (socxjob.jobfamily) references (jobfamily.jobfamily)			

socxonet		Revised but Deprecated as of v2.6	
Table mapping SOC codes to O*NET codes.			
Field Name	Type	Constraint	Description
1. stfips	char(2)	Primary Key, 1	State FIPS code
2. codetype	char(2)	Primary Key, 1	Code describing the occupational code.
3. code	char(6)	Primary Key, 1	A 6-digit code assigned to the Standard Occupational Classification (SOC) occupational title.
4. onetcode	char(8)	Primary Key, 2	A 6 or 8-digit code (length of code depends on which version of O*NET codes you are using) assigned to the Occupational Information Network (O*NET) occupational title. For codes not 8 characters long, left justify and blank (ASCII 32) fill.
Constraint Information			
1. Foreign Key (socxonet.stfips) references (occcodes.stfips) 1. Foreign Key (socxonet.codetype) references (occcodes.codetype) 1. Foreign Key (socxonet.code) references (occcodes.code) 2. Foreign Key (socxonet.onetcode) references (onetcode.onetcode)			
Table Notes			
1: Length of onetcode depends on which version of O*NET codes you are using.			

Administrative Tables

datasess			
This table contains a list of "data sessions" or "reports" corresponding to a particular application.			
Field Name	Type	Constraint	Description
1. appl	char(8)	Primary Key	Application name or identifier.
2. session	varchar(32)	Primary Key	Data session name or report name.
3. sessdesc	varchar(60)		Description of data session or report.
4. suppavail	char(1)		Does suppress field exist? yes/no - this may be a bit field in some rdbms. 0 = No; 1 = Yes

empdbinf			
This table contains information about the current installed version of the empdb file.			
Field Name	Type	Constraint	Description
1. releaseno	char(3)	Primary Key	Empdb release number.
2. releasemo	char(2)		Release month.
3. releaseyr	char(4)		Release year.
4. copyrtyear	char(4)		Copyright year.
5. contractyr	char(4)		Contract year.
6. editionyr	char(4)		Edition year.

indcodes			
Master table of industry code type/code combinations, allowing multiple classification systems to be used.			
Field Name	Type	Constraint	Description
1. stfips	char(2)	Primary Key, 1	State FIPS Code.
2. codetype	char(2)	Primary Key, 2	Code describing the type of industry classification code.
3. code	char(6)	Primary Key	The classification code used by the state for this data element. This could be a SIC or NAICS code. For codes not 6 characters long, left justify and blank (ASCII 32) fill.
4. codetitle	varchar(115)		The descriptive title for this industry code.
Constraint Information			
1. Foreign Key (indcodes.stfips) references (stfipstb.stfips)			
2. Foreign Key (indcodes.codetype) references (indtypes.codetype)			

maplist			
Catalogue of maps and map images.			
Field Name	Type	Constraint	Description
1. stfips	char(2)	Primary Key, 1	State FIPS code.
2. areatype	char(2)	Primary Key, 1	Code describing type of geographic area: e.g. county, service delivery area, MSA.
3. area	char(6)	Primary Key, 1	A 6-digit code assigned to represent a geographic area. Front fill with zeroes.
4. periodyear	char(4)	Primary Key, 2	Character representation of calendar year (e.g. 1996).
5. periodtype	char(2)	Primary Key, 2	Code describing type of period (e.g. annual, quarterly, monthly, etc.)
6. period	char(2)	Primary Key, 2	Period Code.
7. mapname	varchar(32)	Primary Key	Name of map.
8. mapdesc	varchar(60)		Description or title of map.
9. mapimage	long raw		Actual map image data.
Constraint Information			
1. Foreign Key (maplist.stfips, maplist.areatype, maplist.area) references (geog.stfips, geog.areatype, geog.area)			
2. Foreign Key (maplist.periodyear, maplist.periodtype, maplist.period) references (period.periodyear, period.periodtype, period.period)			

occcodes			
Master table of occupation or training code type/code combination, allowing multiple codes systems to be used.			
Field Name	Type	Constraint	Description
1. stfips	char(2)	Primary Key, 1	State FIPS Code.
2. codetype	char(2)	Primary Key, 2	Code describing the type of occupation or training classification code.
3. code	char(10)	Primary Key	The classification code used by the state for this data element. This could be a CIP, DOT, OES, SOC or other occupational code. For codes not 10 characters long, left justify and blank (ASCII 32) fill.
4. codetitle	varchar(115)		The descriptive title for this occupation or training code.
Constraint Information			
1. Foreign Key (occcodes.stfips) references (stfipstb.stfips)			
2. Foreign Key (occcodes.codetype) references (occtypes.codetype)			

sesstabl			
A mapping between an application's reports or data sessions and the WID tables that are used for those reports.			
Field Name	Type	Constraint	Description
1. appl	char(8)	Primary Key, 1	Application name or identifier.
2. session	varchar(32)	Primary Key, 1	Data session name or report name.
3. tablename	varchar(32)	Primary Key, 2	Name of Workforce Information table.
Constraint Information			
1. Foreign Key (sesstabl.appl, sesstabl.session) references (datasess.appl, datasess.session)			
2. Foreign Key (sesstabl.tablename) references (tabllist.tablename)			

source			
A list of data sessions or reports for a given application and narrative data used to describe the original source of data.			
Field Name	Type	Constraint	Description
1. stfips	char(2)	Primary Key, 1	State FIPS Code.
2. appl	char(8)	Primary Key, 2	Application name or identifier.
3. session	varchar(32)	Primary Key, 2	Data session name or report name.
4. source	varchar(MAX)		Narrative text describing the original source(s) of data for this data session or report.
Constraint Information			
1. Foreign Key (source.stfips) references (stfipstb.stfips)			
2. Foreign Key (source.appl, source.session) references (datasess.appl, datasess.session)			

statelst			
List of states for which there is data stored in your WID, used by triggers of lookup tables.			
Field Name	Type	Constraint	Description
1. stfips	char(2)	Primary Key, 1	State FIPS code.
2. statename	varchar(20)		State name.
3. stateabbrv	char(2)		The two letter state abbreviation.
Constraint Information			
1. Foreign Key (statelst.stfips) references (stfipstb.stfips)			

tabllist			
This table contains one record for each table in the Workforce Information Database.			
Field Name	Type	Constraint	Description
1. tablename	varchar(32)	Primary Key	Name of Workforce Information table.
2. tabledesc	varchar(60)		Description of table.
3. tabletype	char(1)		A code indicating the type of Workforce Information table.

tablsrce

Table describing how and from whom to obtain source data for the WID tables.

Field Name	Type	Constraint	Description
1. stfips	char(2)	Primary Key, 1	State FIPS Code.
2. tablename	varchar(32)	Primary Key, 2	Name of Workforce Information table.
3. supplier	varchar(60)		Name of department or office.
4. contact	varchar(30)		Individual to contact.
5. telephone	char(10)		Telephone number.
6. teleext	varchar(10)		Telephone extension.
7. lastupdate	date		Date this source data was last updated.
8. nextupdate	date		Date this source data will be updated next.
9. filetype	varchar(10)		File format of source data.
10. info	varchar(MAX)		Narrative text describing any other relevant information regarding this source data.

Constraint Information

1. Foreign Key (tablsrce.stfips) references (stfipstb.stfips)
2. Foreign Key (tablsrce.tablename) references (tabllist.tablename)

Workforce Information Database version 2.6

Standard Field Values (alphabetic by field name)

addressty	
Tables Referenced:	
addressty, stfirms	
Values:	
1	Physical address from QCEW
2	Mailing address/other from QCEW
3	UI Address from QCEW
4	OES address

agegroup	
Tables Referenced:	
agegroup, esapplic1, mls, qwichar, uiclaims	
Values:	
00	Total, all ages
01	Under 1 year
02	1 to 2 years
03	3 to 4 years
04	5 years
05	6 years
06	7 to 9 years
07	10 to 11 years
08	12 to 13 years
09	14 years
10	15 years
11	16 years
12	17 years
13	18 years
14	19 years
15	20 years
16	21 years
17	22 to 24 years
18	25 to 29 years
19	30 to 34 years
20	35 to 39 years
21	40 to 44 years
22	45 to 49 years
23	50 to 54 years
24	55 to 59 years
25	60 to 61 years
26	62 to 64 years
27	65 to 69 years
28	70 to 74 years

agegroup	
Tables Referenced:	
agegroup, esapplic1, mls, qwichar, uiclaims	
Values:	
29	75 to 79 years
30	80 to 84 years
31	85 years and over
32	16 years and over
33	16 to 24 years
34	16 to 17 years
35	18 to 19 years
36	20 to 24 years
37	25 years and over
38	25 to 54 years
39	55 years and over
40	Under 22
41	25 to 34
42	35 to 44
43	45 to 54
44	60 to 64
45	65 years and over
46	14 to 18
47	19 to 21
48	55 to 64
49	14 years and over
50-70	State-specified
99	Unknown

anssalflg	
Tables Referenced:	
anssalflg, empdb	
Values:	
1	Collected
2	Estimated

anssalrng	
Tables Referenced:	
empdb	
Values:	
A	1 – 499 (1,000's, all ranges)
B	500 – 999
C	1000 – 2499

annsalrng**Tables Referenced:**

empdb

Values:

D	2500 – 4999
E	5000 – 9999
F	10,000 - 19,999
G	20,000 - 49,999
H	50,000 - 99,999
I	100,000 - 499,999
J	500,000 - 999,999
K	1,000,000+

areatype**Tables Referenced:**

analysis, areatype, bed, blding, cenlabor, cenlabor2000, ces, clsxproj, clsxsupl, commute, cpi, cpiplus, demographics, develop, eeolabfac, eeolabfor, eeocc, eeopop, empdb, esapplic1, esdata, geog, income, indprj, indsum, industry, iomatrix, jvs, labforce, licauth, license, lichist, maplist, mls, mlsclaim, mlsevent, occprj, oeswage, payment, populatn, progcomp, programs, propval, qwichar, sales, schools, stfirms , stindprj, stocprj, subgeog, supply, tax, uiclaims, urllinks, wage, workstop

Values:

00	US
01	State
02	MSA
03	SDA
04	County
05	Minor Civil Division
06	BLS Region
07	Broad Geographic Area (BGA)
08	Economic Development Region
09	Planning Region
10	Labor Market Area
11	City
12	Town
13	Township
14	Municipality/Suburb
15	Workforce Investment Region
16	One Stop Area
17	Workforce Development Area
18	Job Center Area
19	Congressional District
20	Census Places

areatype**Tables Referenced:**

analysis, areatype, bed, blding, cenlabor, cenlabor2000, ces, clsxproj, clsxsupl, commute, cpi, cpiplus, demographics, develop, eeolabfac, eeolabfor, eeocc, eeopop, empdb, esapplic1, esdata, geog, income, indprj, indsum, industry, iomatrix, jvs, labforce, licauth, license, lichist, maplist, mls, mlsclaim, mlsevent, occprj, oeswage, payment, populatn, progcomp, programs, propval, qwichar, sales, schools, stfirms , stindprj, stocprj, subgeog, supply, tax, uiclaims, urllinks, wage, workstop

Values:

21	Metropolitan Statistical Area *
22	Micropolitan Statistical Area *
23	Metropolitan Division *
24	Combined Statistical Area*
30	Balance of State
31	Metropolitan Statistical Area 2010
32	Micropolitan Statistical Area 2010
33	Metropolitan Division 2010
34	Combined Statistical Area 2010
50-70	State-Defined Area

bedtypcode**Tables Referenced:**

bed, bedtypes

Values:

0	Total net change
1	Job gains due to expanding establishments
2	Job gains due to opening establishments
3	Total job gains
4	Job losses due to contracting establishments
5	Job losses due to closing establishments
6	Total job losses

benefit**Tables Referenced:**

benefit, jvsaddit

Values:

0	All Benefit Categories
1	Benefit Category 1
2	Benefit Category 2
3	Benefit Category 3
4	Benefit Category 4
5	No Benefits
9	Unknown

businessstype	
Tables Referenced: empfdb	
Values:	
1	Individual
2	Firm

certreq	
Tables Referenced: jvsaddit	
Values:	
0	Both
1	Certificate Required
2	No Certificate Required

ciplevel	
Tables Referenced: cipcode	
Values:	
2	2-digit CIP
4	4-digit CIP
6	6-digit CIP

classtime	
Tables Referenced: classtime, programs	
Values:	
1	Day
2	Night
3	Weekend
4	Day/Night
5	Day/Weekend
6	Night/Weekend
7	Day/Night/Weekend

clusgrade	
Tables Referenced: analysis, clusgrad	
Values:	
1	Excellent
2	Very Good
3	Good/Favorable
4	Competitive
5	Very Competitive

clusgrade	
Tables Referenced: analysis, clusgrad	
Values:	
6	Ungraded/unassigned

codetype	
Tables Referenced: clsxsupl, clusxcip, clusxsoc, indcodes, indtypes, occcodes, occtypes, progcomp, programs, stprogcd, supply	
Values:	
01	Cluster
02	OES
03	CIP
04	DOT
05	SIC
06	Census
07	CIDS
08	SOC 2000
09	State specific
10	NAICS
11	MOC
12	O*NET
13	MicroMatrix
14	SOC 2010 code
15	CIP 2010 code
16	2010 Census Occupation code
17	2000 Census Industry code
18	2010 Census Industry code
99	Not Available

comptype	
Tables Referenced: clsxsupl, comptyp, progcomp, programs, supply	
Values:	
00	Sum of all types (Aggregate of all Completer Types)
01	Postsec. Awards/Cert./Diplomas; < 1 yr.
02	Postsec. Awards/Cert./Diplomas; 1-2 yrs.
03	Associate's Degree
04	Postsec. Awards/Cert./Diplomas; 2-4 yrs.
05	Bachelor's Degree
06	Postbaccalaureate Certificates
07	Master's Degree
08	Post-Master's Certificates

comptype**Tables Referenced:**

clsxsupl, compltyp, progcomp, programs, supply

Values:

09	Doctor's Degrees
10	First-professional Degrees
11	First-professional Cert. (Post-Degree)
17	All Postsecondary Certificates
21	Secondary
22	Postsec. Awards/Cert./Diplomas; <4 yrs.
23	Graduate degrees combined
30	OJT = on-the-job training
31	Employment & training program completers
32	Military separatees
33	Apprenticeship completers
34	Job Corps completers
40	Certificates < 2 yrs.
50-70	State-Defined Completion Types
99	Unidentified

contactgender**Tables Referenced:**

empdb

Values:

Blank	Unknown
F	Female
M	Male

contactprotitle**Tables Referenced:**

contactpro, empdb

Values:

CPA	Certified Public Accountant
DC	Doctor of Chiropractic Medicine
DDS	Doctor of Dental Surgery
DO	Doctor of Osteopathic Medicine
DPM	Doctor of Podiatry
DVM	Doctor of Veterinary Medicine
MD	Doctor of Medicine
OD	Doctor of Optometry
PE	Professional Engineer
PHD	Doctor of Philosophy

contacttitlecode**Tables Referenced:**

contacttitle, empdb

Values:

-	Sales
!	IT
#	Finance
\$	Chief Administrative Officer (CAO)
%	Chief Marketing Officer
&	Business Developer
(Director
)	Executive
.	International
/	Manufacturing
:	Educator
?	Office Manager
@	CIO/CTO
[Operations
\	Marketing
]	Other
^	Human Resources
_	Site Manager
{	Regional Manager
+	Facilities
=	Engineering/Technical
>	General Manager
1	Owner
2	President
3	Manager
4	Executive Director
5	Principal
6	Publisher
7	Administrator
8	Religious Leader
9	Partner
A	Chairman
B	Vice Chairman
blank	Unknown
C	Chief Executive Officer
D	Director (Public Co)
E	Chief Operating Officer (COO)
F	Chief Financial Officer (CFO)
G	Treasurer
H	Controller
I	Executive Vice President

contacttitlecode**Tables Referenced:**

contacttitle, empdb

Values:

J	Senior Vice President
K	Vice President
L	Administration Executive
M	Corporate Communications Executive
N	Data Processing Executive
O	Finance Executive
P	Human Resources Executive
Q	Telecommunications Executive
R	Marketing Executive
S	Operations Executive
T	Sales Executive
U	Corporate Secretary
V	General Counsel
W	Executive Officer
X	Plant Manager
Y	Purchasing Agent
Z	Auditor

cpisource**Tables Referenced:**

cpi, cpiplus, cpisource

Values:

1	Bureau of Labor Statistic
6-8	State Defined

cpitype**Tables Referenced:**

cpi, cpitype

Values:

01	CPI-U all items 1982-84=100, not seasonally adjusted
02	CPI-U all items 1982-84=100, seasonally adjusted
03	CPI-W, all items 1982-84=100, not seasonally adjusted
04	CPI-W, all items 1982-84=100, seasonally adjusted
05	CPI-U all items 1967=100, not seasonally adjusted
06	CPI-U all items 1967=100, seasonally adjusted
07	CPI-W, all items 1967=100, not seasonally adjusted

cpitype**Tables Referenced:**

cpi, cpitype

Values:

08	CPI-W, all items 1967=100, seasonally adjusted
50-70	State-Defined CPI Types

creditcd**Tables Referenced:**

creditcd, empdb

Values:

A	Excellent
B	Very Good
C	Good
I	Institution or government
U	Unknown

disabled**Tables Referenced:**

disabil, esapplic2

Values:

0	Total applicants
1	Disabled
2	Not Disabled
9	Unknown

dislocated**Tables Referenced:**

dislocat, esapplic2

Values:

0	Total applicants
1	Dislocated
2	Not dislocated
9	Unknown

dwvertype**Tables Referenced:**

dwvertyp, mlsevent

Values:

0	Not potential DW event
1	Potential Substantial Layoff
2	Potential Closure
3	Potential DW event (employment=0)
4	Potential DW event (merged DW events)

econdisadv**Tables Referenced:**

disadvan, esapplic2

Values:

- 0 Total applicants
- 1 Economically disadvantaged
- 2 Not economically disadvantaged
- 9 Unknown

educat**Tables Referenced:**

education, soccode

Values:

- 1 Less than high school
- 2 High school diploma or equivalent
- 3 Some college, no degree
- 4 Post-secondary non-degree award
- 5 Associate's degree
- 6 Bachelor's degree
- 7 Master's degree
- 8 Doctoral or professional degree
- N Information not available

edulevel**Tables Referenced:**

edulevel, jvsaddit

Values:

- 0 All Education Levels
- 2 Associate's Degree
- 9 Unknown
- A Advanced Degree
- B Bachelor's Degree
- H High School / GED
- N No Education Requirement
- V Vocational Training

eeo1cat**Tables Referenced:**

eeo1cat, eeo1xcens

Values:

- 01 Officials and Managers
- 02 Professionals
- 03 Technicians
- 04 Sales Workers
- 05 Administrative Support Workers

eeo1cat**Tables Referenced:**

eeo1cat, eeo1xcens

Values:

- 06 Craft workers
- 07 Operatives
- 08 Laborers and Helpers
- 09 Service workers
- 10 Unemployed, no Civilian Work Experience Since 1995

eeostloc**Tables Referenced:**

eeosxcens

Values:

- 01 Officials and Managers
- 02 Professionals
- 03 Technicians
- 04 Protective Service: Sworn
- 05 Protective Service: Non-Sworn
- 06 Administrative Support
- 07 Skilled Craft
- 08 Service Maintenance
- 09 Unemployed, no Civilian Work Experience Since 1995

empsizflg**Tables Referenced:**

empdb, empszflg

Values:

- 1 Collected from source
- 2 Estimated by the Employer Database supplier

empsizrng**Tables Referenced:**

empdb, empszrng

Values:

- A 1-4
- B 5-9
- C 10-19
- D 20-49
- E 50-99
- F 100-249
- G 250-499

empsizrng	
Tables Referenced: empdb, empszrng	
Values:	
H	500-999
I	1,000-4,999
J	5,000-9,999
K	10,000+

eventtype	
Tables Referenced: eventtyp, mlsevent	
Values:	
1	State event
2	BLS event
9	Undefined

expercat	
Tables Referenced: experience, soccode	
Values:	
0	None
1	Less than 1 year
2	1 to 5 years
3	More than 5 years
N	Information not available

explevel	
Tables Referenced: explevel, jvsaddit	
Values:	
0	All Experience Levels
9	Unknown
N	No Work Experience Required
R	Related Experience
W	Some Work Experience Required

exportimportind	
Tables Referenced: empdb	
Values:	
B	Both
E	Export Services
I	Import Services

gender	
Tables Referenced: eeolabfac , eeolabfor , eeoocc, eeopop, esapplic1, gender, mls, mlsclaim, qwichar, uiclaims	
Values:	
0	Total (This value is included for data reported by male and total categories, for example Census data)
1	Male
2	Female
3	Unspecified

geocode	
Tables Referenced: empdb, geocode, licauth, schools, stfirms	
Values:	
0	Address
2	Zip+2 centroid
4	Zip+4 centroid
X	ZIP code centroid

growcode	
Tables Referenced: growcode, indprj, iomatrix, occprj, stindprj, stoccpj	
Values:	
50-70	State-Defined Growth Types
DD	Declining
GG	Growing
SS	Stable

highestgrd	
Tables Referenced: esapplic1, schgrade	
Values:	
00	Total, all grads
01	Elementary
02	Some High School
03	High School Grad/GED
04	Some College
05	College Grad 2 yr
06	College Grad 4 yr
07	Post Graduate Studies
50-70	State-Defined Graduate Types
99	Unknown

incsource**Tables Referenced:**

income, incomtyp

Values:

1	Census
2	HUD
3	BEA
6 – 8	State Defined Income Sources

inctype**Tables Referenced:**

income, incomtyp

Values:

01	Total income
02	Per capita income
03	Median household income
04	Median family income
05	Real personal income
06	Real per capita personal income
50-70	State-Defined Income Types

inndiv**Tables Referenced:**

inndiv, siccode

Values:

A	Agriculture, forestry and fishing (2 digit SICs 01-09)
B	Mining (10-14)
C	Construction (15-17)
D1	Durable goods manufacturing, Total (24, 25, 32-39)
D2	Nondurable goods manufacturing, Total (20-23, 26-31)
E1	Transportation, total (40-47)
E2	Communications and utilities, total (48, 49)
F	Wholesale trade (50, 51)
G	Retail trade (52-59)
H	Finance, insurance, and real estate (60-67)
I	Services (70-89)
J	Public administration (91-97)
K	Nonclassifiable establishments
XXX	Unknown
ZZZ	Total (00)

instown**Tables Referenced:**

instown, schools, supply

Values:

1	Public institution
2	Private for profit institution
3	Private non-profit institution
9	Not Available

insttype**Tables Referenced:**

insttype, schools, supply

Values:

00	All Institutions
01	Secondary Schools
02	Public Adult Schools with occupational programs
03	Two-year, Technical, and Community Colleges
04	Four-year Colleges and Universities
05	Private Business and Technical Schools
06	JTPA Programs
07	Apprenticeship Programs
08	Hospital or Health Programs
09	Other education and training institutions
20	Law Enforcement Academies
21	Aviation and Flight Schools
22	WIA Providers
23	Department of Defense
50-70	State-Defined Institution Types
99	Not Available

lengthopen**Tables Referenced:**

jvsaddit, lengthopen

Values:

0	All Length Categories
1	Less than 30 days
2	30 – 59 days
3	60 or more days
4	Always Hiring
9	Unknown

lengthtype	
Tables Referenced: lentype, programs	
Values:	
01	Years
02	Semesters
03	Trimesters
04	Quarters
05	Months
06	Weeks
07	Days
08	Hours
09	Semester hours
10	Credit hours
99	Unknown

leveltype	
Tables Referenced: leveltyp, wage	
Values:	
0	All level
1	Entry level
2	Apprenticeship
3	Experienced
4	Journeyman
6 – 8	State Defined Level Types
9	Not Available

licnumtype	
Tables Referenced: lichist, licnumty	
Values:	
01	Total number of licenses, as of a point in time
02	Number of active licenses as of a point in time
03	Number of licenses issued during a specific period
50-70	State-Defined Licences Types

locstat	
Tables Referenced: empdb, locstat	
Values:	
0	Single location firm
1	Headquarters/home office

locstat	
Tables Referenced: empdb, locstat	
Values:	
2	Branch office
3	Subsidiary headquarters

meeicode	
Tables Referenced: meeicode, mlsevent	
Values:	
1	Single establishment unit
2	Multi-unit master record
3	Sub-unit record of a multi-unit employer
4	Multi-unit rpt. as single (lack of data)
5	Sub-unit representing several estab.
6	Multi-unit rpt. as single (due to size)
9	Undefined

mpc	
Tables Referenced: mocode, mocxsoc, mocxsoc2000, mpc	
Values:	
E	Enlisted
N	Not Applicable (civilian occupations)
O	Commissioned Officer (includes Navy and Marine Warrant Officers)
W	Warrant Officers (Army & Coast Guard)

naicdomain	
Tables Referenced: naicdom, naicsupr	
Values:	
10	Total, All Industries
101	Goods-Producing
102	Service-Providing

naicsect	
Tables Referenced: naiccode, naicsect	
Values:	
10	Supersector / Domain totals
11	Agriculture, Forestry, Fishing and Hunting
21	Mining
22	Utilities

naicsect**Tables Referenced:**

naiccode, naicsect

Values:

23	Construction
31	Manufacturing (31 through 33)
42	Wholesale Trade
44	Retail Trade (44 & 45)
48	Transportation and Warehousing (48 & 49)
51	Information
52	Finance and Insurance
53	Real Estate and Rental and Leasing
54	Professional, Scientific and Technical Services
55	Management of Companies and Enterprises
56	Administrative and Support and Waste Management and Remediation Services
61	Education Services
62	Health Care and Social Assistance
71	Arts, Entertainment and Recreation
72	Accommodation and Food Services
81	Other Services (except Public Administration)
92	Public Administration

naicslvl**Tables Referenced:**

naiccode, naicslvl

Values:

0	Total (000000)
1	Supersector
2	Sector (2 digit)
3	Subsector (3 digit)
4	Industry Group (4 digit)
5	Industry (5 digit)
6	US Industry (6 digit)
9	Not Specified
D	Domain

naicsuper**Tables Referenced:**

naicsect, naicsupr

Values:

10	Total All Industries
101	Goods-Producing
1011	Natural Resources and Mining Sectors 11, 21

naicsuper**Tables Referenced:**

naicsect, naicsupr

Values:

1012	Construction Sector 23
1013	Manufacturing Sectors 31-33
102	Service-Providing
1021	Trade, Transportation, and Utilities Sectors 42, 44-45, 48-49, 22
1022	Information Sector 51
1023	Financial Activities Sectors 52, 53
1024	Professional and Business Services Sectors 54, 55, 56
1025	Education and Health Services Sectors 61, 62
1026	Leisure and Hospitality Sectors 71, 72
1027	Other Services Sector 81
1028	Public Administration Sector 92
1029	Unclassified Sector 99

oestrntm**Tables Referenced:**

oescode, oestrntm

Values:

0	Management training or experience
1	Baccalaureate or graduate degree
2	2 to 3 years of postsecondary training
3	High school degree plus work experience
4	On-the-job training or work experience
5	Not coded to experience
9	Not available

oohtrntm**Tables Referenced:**

oescode, oohtrntm, soc2000

Values:

A	First professional degree
B	Doctor's degree
C	Master's degree
D	Work experience, plus a bachelor's or higher degree
E	Bachelor's degree
F	Associate degree
G	Post secondary vocational training
H	Work experience (in a related occupation)
I	Long-term on-the-job training (> 12 mos.)

oohtnrm**Tables Referenced:**

oescode, oohtnrm, soc2000

Values:

J	Moderate-term on-the-job training (1 to 12 months)
K	Short-term on-the-job training
Z	Not Available

ownership**Tables Referenced:**

industry, jvs, mls, mlsevent, ownershp, qwichar, stfirms, workstop

Values:

00	Total
10	Federal Government
20	State Government
30	Local Government
40	International Government
50	Private
80	Total Government
90	Total UI Covered (excludes Federal Government)

partfull**Tables Referenced:**

jvsaddit

Values:

0	Both
1	Part-time
2	Full-time

paytype**Tables Referenced:**

payment, paytype

Values:

01	Total
02	Retirement/Disability
03	Medical
04	Income Maintenance
05	Unemployment insurance
06	Veterans
07	Education and training
08	Other

periodtype**Tables Referenced:**

analysis, bed, blding, cenlabor, cenlabor2000, ces, clsxsupl, commute, cpi, cpiplus, demographics, develop, eeolabfac, eeolabfor, eeoocc, eeopop, esapplic1, esdata, income, industry, jvs, labforce, lichist, maplist, mls, mlsclaim, mlsevent, oeswage, payment, period, periodid, periodty, populatn, progcomp, propval, qwichar, sales, supply, tax, uiclaims, wage, workstop

Values:

01	Annual
02	Quarter
03	Monthly
04	Weekly
05	Decennial
06	Bimonthly
07	Semiannually
08	Biannually
10	ACS
36	3-year estimates
50-70	State-Defined Period Types (EXCEPT 60)
60	5-year estimates
99	Not Applicable

permseas**Tables Referenced:**

jvsaddit

Values:

0	Both
1	Seasonal
2	Permanent

popsorce**Tables Referenced:**

demographics, popsorce, populatn

Values:

1	Census
2	BEA
3	American Community Survey
6-9	State-Defined Population Sources

prisepcd**Tables Referenced:**

mls, mlsevent

Values:

prisepcd**Tables Referenced:**

mls, mlsevent

Values:

00	No Secondary Reason
01	Automation
04	Bankruptcy
07	Business Ownership Change
10	Contract Cancellation
13	Contract Completed
16	Domestic Relocation
19	Energy-related
22	Environment-related
25	Financial Difficulty
28	Import Competition
31	Labor Dispute
34	Material Shortage
37	Model Changeover
40	Natural Disaster
43	Overseas Relocation
46	Plant or Machine Repair
49	Product Line Discontinue
52	Reorganization Within the Company
55	Seasonal
58	Slack Work
61	Vacation Period
64	Weather-related
90	Other
96	Fed Government Cutbacks, Unspecified
97	Fed Government Cutbacks, Defense-Related
98	Data Not Provided (Refusal)
99	Data Not Provided (Does Not Know)
AA	All separation reasons

privgovsta**Tables Referenced:**

empdb, prvgovst

Values:

1	Federal
2	State
3	County
4	Municipal
5	Private

qwisup**Tables Referenced:**

qwidata, qwisup

Values:

0	The value is not significantly affected by the disclosure protections
1	No employment in this age, gender category
2	There are less than 3 employees in this category
3	There are less than 3 employers in this category
4	Value could not be computed because a denominator is zero
5	Required historical or future wage record data are not available
6	No employers operate in this category during this quarter
9	The value has been significantly distorted to protect confidentiality

qwitype**Tables Referenced:**

qwidata, qwitype

Values:

01	Accessions (Acc)
02	Beginning-of-Quarter Employment (BeginEmp)
03	End-of-Quarter Employment (EndEmp)
04	Full Quarter Employment (FulEmp)
05	Full-Quarter Turnover (FulQrtTurn)
06	Accessions to Full Quarter Employment (FulEmpFlw)
07	Full Job Creation (FulJobCre)
08	Full Quarter Job Destruction (FulJobDes)
09	Full Job Flow (FulJobFlw)
10	Separations from Full Quarter Employment (FulSep)
11	New Hires (Hire)
12	Full-Quarter New Hires (FulHire)
13	Job Creations (JobCreate)
14	Job Destruction (JobDes)
15	New Job Flows (JobFlowNet)
16	Recalls (Recl)
17	Separations (Sep)
18	Total Employment (TotalEmp)
19	Total Quarterly Payroll (Payroll)
20	Average Periods of Non-employment for Accessions (NonEmpAcc)

qwitype**Tables Referenced:**

qwidata, qwitype

Values:

21	Average Periods of Non-employment for New Hires (NonEmpHire)
22	Average Period of Non-employment for Recalls (NonEmpRecl)
23	Average Periods of Non-employment for Separations (NonEmpSep)
24	Average Earnings for End-of-Period Employees (EarnEnd)
25	Average Earnings for Full-Quarter Employess (EarnFul)
26	Average Earnings for Full-Quarter Accessions (EarnFulAcc)
27	Average Earnings for Full-Quarter Separations (EarnFulSep)
28	Average Earnings for Full Quarter New Hires (EarnFulHire)
29	Average Change in Earnings for Accessions (ChgEarnAcc)
30	Average Change in Earnings for Separations (ChgEarnSep)

ratetype**Tables Referenced:**

esdata, oeswage, ratetype, wage

Values:

0	Not available
1	Hourly wage
2	Weekly wage or salary
3	Monthly wage or salary
4	Annual wage or salary
5	Daily wage

salestype**Tables Referenced:**

sales, salestyp

Values:

00	Total, all sales types
01	Retail
50-70	State-Defined Sales Types

seasonal**Tables Referenced:**

esapplic2, seasonal

Values:**seasonal****Tables Referenced:**

esapplic2, seasonal

Values:

0	Total, All applicants
1	Seasonal/migrant
2	Not seasonal/migrants
9	Unknown

secsepcd**Tables Referenced:**

mlsevent

Values:

00	No Secondary Reason
01	Automation
04	Bankruptcy
07	Business Ownership Change
10	Contract Cancellation
13	Contract Completed
16	Domestic Relocation
19	Energy-related
22	Environment-related
25	Financial Difficulty
28	Import Competition
31	Labor Dispute
34	Material Shortage
37	Model Changeover
40	Natural Disaster
43	Overseas Relocation
46	Plant or Machine Repair
49	Product Line Discontinue
52	Reorganization Within the Company
55	Seasonal
58	Slack Work
61	Vacation Period
64	Weather-related
90	Other
96	Fed Government Cutbacks, Unspecified
97	Fed Government Cutbacks, Defense-Related
98	Data Not Provided (Refusal)
99	Data Not Provided (Does Not Know)
AA	All separation reasons

siccode**Tables Referenced:**

matxsic, mlsevent, siccode, sicxnaic

Values:

0000	Total, all industries
9010	Federal Gov't, Excluding Postal
9020	State Gov't, Excluding Education & Hospitals
9030	Local Gov't, Excluding Education & Hospitals
9999	Non-classifiable; industry not specified

sicdiv**Tables Referenced:**

siccode, sicdiv

Values:

A	Agriculture, forestry and fishing (2 digit SICs 01-09)
B	Mining (10-14)
C	Construction (15-17)
D	Manufacturing, total (20-39)
E	Transportation and public utilities (40-49)
F	Wholesale trade (50, 51)
G	Retail trade (52-59)
H	Finance, insurance, and real estate (60-67)
I	Services (70-89)
J	Public administration (91-97)
X	Unknown
Z	Total (00)

siclevel**Tables Referenced:**

siccode, siclevel

Values:

0	Total (0000)
1	Major Division (one digit SIC)
2	Major Group (two digit SIC)
3	Industry Group (three digit SIC)
4	Industry (four digit SIC)
9	Not Specified

sizeclass**Tables Referenced:**

jvs, sizeclas, stfirms

Values:

00	0, No employment
01	1 - 4 employees

sizeclass**Tables Referenced:**

jvs, sizeclas, stfirms

Values:

02	5 - 9 employees
03	10 - 19 employees
04	20 - 49 employees
05	50 - 99 employees
06	100 - 249 employees
07	250 - 499 employees
08	500 - 999 employees
09	1000 and over employees
20	less than 10 employees
22	10 to 49 employees
24	250 or more employees
50-70	State-Defined Size Class Types
99	Unknown

stattype**Tables Referenced:**

esdata, stattype, wage

Values:

00	Range Bottom
01	Range Top
02	Mode
03	Mean (average)
04	Median
05	Bottom of First Quartile
06	Top of First Quartile
07	Bottom of Second Quartile
08	Top of Second Quartile
09	Bottom of Third Quartile
10	Top of Third Quartile
11	Bottom of Fourth Quartile
12	Top of Fourth Quartile
13	Minimum
14	Maximum
15	10th Percentile
16	25 th Percentile
17	75 th Percentile
18	90 th Percentile
19	Mean of 1st third (Default Entry Wages)
20	Mean of upper two thirds (Default Expr Wage)
50 - 70	State-specified

stockexchcode	
Tables Referenced: empdb, stockexch	
Values:	
1	NYSE
2	ASE
3	NASDAQ
9	OTHER

subtot (indsub)	
Tables Referenced: inndir, indsub, matxnaic, matxsic	
Values:	
1	Total all industries (SIC-based)
2	Industry division (SIC-based)
3	Major industry group (SIC-based)
4	Industry (SIC-based)
5	Roll up (SIC-based)
6	Outside the SIC structure (invented code) (SIC-based)
A	Total all industries (NAICS-based)
B	Domain (NAICS-based)
C	Super-Sector (NAICS-based)
D	Industry sector (2 digit) (NAICS-based)
E	Industry subsector (3 digit) (NAICS-based)
F	Industry group (4 digit) (NAICS-based)
G	Industry (5 digit) (NAICS-based)
H	U.S. Industry (6 digit) (NAICS-based)
I	Roll up (NAICS-based)
J	Outside the NAICS structure (invented code) (NAICS-based)

subtot (occssub)	
Tables Referenced: matxoes, matxsoc, matxsoc2000, occdir, occsub	
Values:	
1	Total all occupations
2	Summary, major group
3	Summary, minor / intermediate group
4	Broad occupation
5	detailed occupation
6	Roll up
7	Collapsed
8	Outside the SOC/OES structure (invented code)

suppress	
Tables Referenced: bed, indprj, industry, iomatrix, jvs, jvsaddit, mls, occprj, stindprj, stoccpj	
Values:	
0	if data is not confidential
1	if data is confidential

suppressoes	
Tables Referenced: oeswage	
Values:	
0	Not Suppressed
1	Suppress employment data
2	Suppress wage data
3	Suppress employment & wage data

svc	
Tables Referenced: mocode, mocxsoc, mocxsoc2000, svc	
Values:	
A	Army branch and Functional Area (FA), Area of Concentration (AOC), Military Occupational Specialty (MOS), and Reporting Code (RC)
C	Coast Guard codes
D	DoD Occupational Conversion Code
F	Air Force Specialty Code (AFSC)
G	Office of Personnel Management (OPM) Series codes GS and WG
K	National Security Personnel System (NSPS) code
M	Marine Corps Military Occupational Specialty (MOS)
N	Navy Rating, Navy Enlisted Code (NEC), and Navy Officer Billet Classification (NOBC) codes

svp	
Tables Referenced: dotcode	
Values:	
1	Short demonstration only
2	Anything beyond short demonstration up to and including 30 days
3	Over 30 days up to and including 3 months
4	Over 3 months up to and including 6 months

svp**Tables Referenced:**

dotcode

Values:

5	Over 6 months up to and including 1 year
6	Over 1 year up to and including 2 years
7	Over 2 years up to and including 4 years
8	Over 4 years up to and including 10 years
9	Over 10 years

tabletype**Tables Referenced:**

tabllist

Values:

A	Administrative table
D	Data table
L	Lookup table
X	Crosswalk table

taxtype**Tables Referenced:**

propval, tax, taxtype

Values:

01	Sales tax
02	Real property tax
03	Personal property tax
04	Mineral tax
05	Use tax
06	Excise tax
07	Income tax
08	Ad Valorem
09	Local Option Sales Taxes
99	Other; not elsewhere classified

trainingcat**Tables Referenced:**

socode, training

Values:

0	None
1	Short-term on-the-job training
2	Moderate-term on-the-job training
3	Long-term on-the-job training
4	Apprenticeship
5	Internship/residency
N	Information not available

unittype**Tables Referenced:**

blding, unittype

Values:

00	Total all types construction permits
01	Total new constructions
02	Total remodels/alterations
03	Single family residential new constructions
04	Single family residential remodels/alterations
05	Multi family residential new constructions
06	Multi family residential remodel/alterations
07	Residential, not specified new construction
08	Residential, not specified remodels/alterations
09	Commercial new construction
10	Commercial remodels/alterations
50-70	State-Defined Unit Type Codes
99	Unspecified

urltopic**Tables Referenced:**

urllinks, urltopic

Values:

000	SESA LMI homepages
001	Analyst Resource Center Homepage
002	BLS Sites
003	ETA Sites
004	BEA Sites
005	Census Bureau
006	HUD
007	National Association of State Workforce Agencies
008	America's Career InfoNet
009	America's Job Bank
010	America's Learning Exchange
011	America's Service Locator
500-79	State specific

veteran**Tables Referenced:**

esapplic2, mls, mlsclaim, vetcode

Values:

0	Total
1	Veteran
2	Non-veteran

veteran**Tables Referenced:**

esapplic2, mls, mlsclaim, vetcode

Values:

- 3 Vietnam Era (This is a subset of Veteran Code Type 1)
- 6 Info. not available

wagesource**Tables Referenced:**

oeswage, wage, wgsource

Values:

- 1 BLS Area Wage Survey
- 2 State Wage Survey
- 3 BLS Occupational Employment Statistics Survey
- 4 BLS/Census Current Population Survey
- 5 Davis Bacon Wage Survey
- 6-9 State-Defined Wage Types

worksite**Tables Referenced:**

mls, mlsevent, worksite

Values:

- 0 Estab & worksites remaining open-no chg.
- 1 Estab open; but worksites affected close
- 2 Estab & worksites open; wksite div. stop
- 3 Partial closure of single-unit estab
- 4 Full closure of multi or single-unit est
- 9 Information not available
- A All Worksite Classifications

Appendix A

Workforce Information Database, Version 2.6 - Recommended Load Order

Order	Table Name	Type	Order	Table Name	Type	Order	Table Name	Type
1	stfipstb	L	46	inndir	L	91	disabil	L
2	areatype	L	47	popsourc	L	92	disadvan	L
3	geog	L	48	unittype	L	93	dislocat	L
4	subgeog	L	49	cescode	L	94	dwvertyp	L
5	statelst	A	50	cidscode	L	95	empszflg	L
6	periodty	L	51	cip2000	L	96	empszrng	L
7	period	L	52	cipcode	L	97	geocode	L
8	periodid	L	53	cluscode	L	98	growcode	L
9	jobfamly	L	54	compltyp	L	99	incsourc	L
10	benefit	L	55	dotcode	L	100	incomtyp	L
11	careerclust	L	56	eventtyp	L	101	laytitle	L
12	careerpaths	L	57	gender	L	102	licnumty	L
13	cens2000	L	58	instown	L	103	locstat	L
14	censcode	L	59	insttype	L	104	mpc	L
15	edulevel	L	60	lentype	L	105	svc	L
16	education	L	61	meeicode	L	106	moccode	L
17	experience	L	62	mlssepct	L	107	urltopic	L
18	training	L	63	mlssepctd	L	108	prvgovst	L
19	eeo1cat	L	64	mlssepctd	L	109	schgrade	L
20	eeostloc	L	65	naicdom	L	110	seasonal	L
21	explevel	L	66	naicsupr	L	111	bedtypes	L
22	itemcpi	L	67	naicsect	L	112	classtime	L
23	lengthopen	L	68	naicslvl	L	113	contactpro	L
24	oohtrntm	L	69	naiccode	L	114	contacttitle	L
25	oesgroup	L	70	oeslaytl	L	115	stockexch	L
26	oestrntm	L	71	onetcode	L	116	occcodes	A
27	occtypes	L	72	ownershp	L	117	indcodes	A
28	oescode	L	73	paytype	L	118	iospecialid	L
29	occsb	L	74	raceethn	L	119	analysis	D
30	occdir	L	75	sizeclas	L	120	bed	D
31	stattype	L	76	soccode	L	121	blding	D
32	indtypes	L	77	soc2000	L	122	cenlabor	D
33	qwisup	L	78	stprogcd	L	123	cenlabor2000	D
34	qwitype	L	79	taxtype	L	124	ces	D
35	sicdiv	L	80	vetcode	L	125	commute	D
36	siclevel	L	81	worksite	L	126	cpi	D
37	inndiv	L	82	adresty	L	127	cpiplus	D
38	siccode	L	83	agegroup	L	128	demographics	D
39	ratetype	L	84	annslflg	L	129	develop	D
40	salestyp	L	85	annslrng	L	130	empdbinf	A
41	leveltyp	L	86	benchmark	L	131	empdb	D
42	wgsourc	L	87	clusgrad	L	132	eeolabfac	D
43	cenind	L	88	cpitype	L	133	eeolabfor	D
44	cenind2000	L	89	cpisourc	L	134	eeoocc	D
45	indsub	L	90	creditcd	L	135	eeopop	D

Notes for Suggested Load Order

Table Types: A=Admin; D=Data; L=Look-up; X=Cross-walk

OCCODES is normally loaded by triggers. If triggers are not used, content for this table should be appended from the related lookup tables: CEN2000, CENSCODE, CIDSCODE, CIP2000, CIPCODE, CLUSCODE, DOTCODE, OCCDIR, OESCODE, ONETCODE, SOC2000, SOCCODE and STPROGCD.

INDCODES is normally loaded by triggers. If triggers are not used, content for this table should be appended from the related lookup tables: CENIND, CENIND2000, SICCODE and NAICCODE.

Appendix A

Workforce Information Database, Version 2.6 - Recommended Load Order

Order	Table Name	Type	Order	Table Name	Type	Order	Table Name	Type
136	esapplic1	D	181	cidsxcip	X			
137	esapplic2	D	182	dotxcip	X			
138	esdata	D	183	dotxcip2000	X			
139	income	D	184	dotxonet	X			
140	indprj	D	185	oesxcens	X			
141	indsum	D	186	oesxcens2k	X			
142	industry	D	187	oesxcids	X			
143	iomatrix	D	188	oesxcip	X			
144	labforce	D	189	oesxcip2000	X			
145	jvs	D	190	oesxdot	X			
146	jvsaddit	D	191	sicxnaic	X			
147	licauth	D	192	oesxonet	X			
148	license	D	193	oesxjob	X			
149	lichist	D	194	laytxocc	X			
150	mls	D	195	licxocc	X			
151	mlsclaim	D	196	matxnaic	X			
152	mlsevent	D	197	matxsoc	X			
153	occprj	D	198	matxsoc2000	X			
154	oeswage	D	199	mocxsoc	X			
155	payment	D	200	oesxsoc	X			
156	populatn	D	201	oesxsoc2000	X			
157	schools	D	202	socxcens	X			
158	progcomp	D	203	soc2kxcens2k	X			
159	programs	D	204	socxcids	X			
160	propval	D	205	socxcip	X			
161	qwichar	D	206	socxdot	X			
162	qwidata	D	207	soc2000xdot	X			
163	sales	D	208	socxjob	X			
164	stfirms	D	209	soc2000xjob	X			
165	stindprj	D	210	socxonet	X			
166	stoccprj	D	211	eeo1xcens	X			
167	supply	D	212	eeo1xcens2k	X			
168	tax	D	213	eeosxcens	X			
169	uiclaims	D	214	eeosxcens2k	X			
170	url	D	215	datasess	A			
171	urllinks	D	216	source	A			
172	wage	D	217	maplist	A			
173	workstop	D	218	tabllist	A			
174	matxoes	X	219	sesstabl	A			
175	matxsic	X	220	tablsrce	A			
176	clsxproj	X						
177	clsxsupl	X						
178	clusxpath	X						
179	clusxcip	X						
180	clusxsoc	X						

Notes for Suggested Load Order

Table Types: A=Admin; D=Data; L=Look-up; X=Cross-walk

OCCODES is normally loaded by triggers. If triggers are not used, content for this table should be appended from the related lookup tables: CEN2000, CENSCODE, CIDSCODE, CIP2000, CIPCODE, CLUSCODE, DOTCODE, OCCDIR, OESCODE, ONETCODE, SOC2000, SOCCODE and STPROGCD.

INDCODES is normally loaded by triggers. If triggers are not used, content for this table should be appended from the related lookup tables: CENIND, CENIND2000, SICCODE and NAICCODE.

Appendix B

Workforce Information Database, Version 2.6 - Notes on the Race/Ethnicity codes

The field **raceethn** is a five-character code that identifies the ethnicity and race of an individual or group.

Characters 1-2 = Ethnicity.

Characters 3-4 = Race.

Character 5 = Type.

Type 0 = A total.

Type 1 = A type 1 record represents an unduplicated count of persons, in which individuals are counted as one race alone. Where persons are identified as more than one race, they are included in **one** multiple race group (e.g. 34, 48, 55, 70); thus, are counted in a single race group. Type 1 race subcategories sum to their type 1 totals (e.g. 411 through 481 = 401, 101 + 201 + 301 + 401 + 501 + 601 + 701 + 991 = 001).

Type 2 = A type 2 record exists for each race a person may have identified as part of their racial makeup. A single race person will be represented in one type 2 record. A person whose racial makeup is a combination of two races will be represented in two type 2 records. Because a multi-racial person is counted in more than one type 2 record, the sum of type 2 counts in virtually all instances will exceed the total population.

Examples: 10001 = Not Hispanic, all races

20201 = Hispanic and black (one race reported)

22102 = Mexican and white (race reported alone or in combination with other races)

99701 = Ethnicity unknown, persons of two or more races

00511 = All Native Hawaiians (no reported race combinations), regardless of ethnicity

Ethnicity		Race		Type
00	Total Population	00	Total Population	0,1,2
10	Not Hispanic or Latino	10	White	1,2
20	Hispanic or Latino (All 20-29)	20	Black or African American	1,2
21	Spaniard			
22	Mexican	30	American Indian or Alaska Native	1,2
23	Central American	31	American Indian	1,2
24	South American	32	Native Alaskan	1,2
25	Latin American	33	Am. Indian / AK Native – Not Specified	1,2
26	Puerto Rican	34	Both American Indian & Alaska Native	1
27	Cuban or Dominican			
28	Other Hispanic or Latino	40	Asian (All 41-48)	1,2
29	Multiple Hispanic Ethnicities	41	Asian Indian	1,2
		42	Chinese	1,2
71-89	State use	43	Filipino	1,2
		44	Japanese	1,2
99	Ethnicity Unknown	45	Korean	1,2
		46	Vietnamese	1,2
		47	Other Asian	1,2
		48	Multiple Asian Races	1
		50	Native Hawaiian / Pacific Islander (All 51-55)	1,2
		51	Native Hawaiian	1,2
		52	Samoan	1,2
		53	Guamanian or Chamorro	1,2
		54	Other Pacific Islander	1,2
		55	Multiple Pacific Island Races	1
		60	Other Race	1,2
		70	Multiple Race Categories reported	1

Appendix B

Workforce Information Database, Version 2.6 - Notes on the Race/Ethnicity codes

Ethnicity		Race		Type
		71-89	State use	
		99	Race Unknown	1

Appendix C

Workforce Information Database, Version 2.6 - Deprecated Tables

Deprecated tables are tables that are no longer necessary, either because they refer to outdated data or classification systems, or are redundant, or for other reasons no longer fit into the WID. These tables will continue to be supported for the time being, allowing backward compatibility, but should not be used in any new software or system development.

Look-up Tables

Table Name	Reason for deprecating	Replacement table(s)
dotcode	Obsolete occupational coding system	socode and related crosswalks
eeo1cat	Developed for Census 2000 EEO data; no longer available.	
eeostloc	Developed for Census 2000 EEO data; no longer available.	
jobfamly	Obsolete classification.	
oescode	Obsolete occupational coding system	socode and related crosswalks
oesgroup	Obsolete occupational coding system	socode and related crosswalks
oeslaytl	Obsolete occupational coding system	
oestrntm	Obsolete coding system	Education, Training
siccode	Obsolete industry coding system	naicscode and related crosswalks
sicdiv	Obsolete industry coding system	naicscode and related crosswalks
siclevel	Obsolete industry coding system	naicscode and related crosswalks
urltopic	Lack of use.	

Data Tables

Table Name	Reason for deprecating	Replacement table(s)
eeolabfac	Developed for Census 2000 EEO data; no longer available.	
eeolabfor	Developed for Census 2000 EEO data; no longer available.	
eeoocc	Developed for Census 2000 EEO data; no longer available.	
eeopop	Developed for Census 2000 EEO data; no longer available.	
indprj	Redundant table	iomatrix
occprj	Redundant table	iomatrix
oeswage	Redundant table	iowage (Non-standard)
stindprj	Redundant table	iomatrix
stoccprj	Redundant table	iomatrix
url	Lack of use.	
urllinks	Lack of use.	

Appendix C

Workforce Information Database, Version 2.6 - Deprecated Tables

Deprecated tables are tables that are no longer necessary, either because they refer to outdated data or classification systems, or are redundant, or for other reasons no longer fit into the WID. These tables will continue to be supported for the time being, allowing backward compatibility, but should not be used in any new software or system development.

Crosswalk Tables

Table Name	Reason for deprecating	Replacement table(s)
cidsxcip	Redundant; replace with generic occ to occ table	occxocc (non-standard)
dotxcip	Obsolete occupational coding system	socode and related crosswalks
dotxcip2000	Obsolete occupational coding system	socode and related crosswalks
dotxonet	Obsolete occupational coding system	socode and related crosswalks
eeo1xcens	Developed for Census 2000 EEO data; no longer available.	
eeo1xcens2k	Developed for Census 2000 EEO data; no longer available.	
eeosxcens	Developed for Census 2000 EEO data; no longer available.	
eeosxcens2k	Developed for Census 2000 EEO data; no longer available.	
matxnaic	Too specific; see generic table	matxind
matxoes	Obsolete occupational coding system	matxocc
matxsic	Obsolete industry coding system	matxind
matxsoc	Too specific; see generic table	matxsoc
matxsoc2000	Too specific; see generic table	matxsoc
oesxcens	Obsolete occupational coding system	socode and related crosswalks
oesxcens2k	Obsolete occupational coding system	socode and related crosswalks
oesxcids	Obsolete occupational coding system	socode and related crosswalks
oesxcip	Obsolete occupational coding system	socode and related crosswalks
oesxcip2000	Obsolete occupational coding system	socode and related crosswalks
oesxdot	Obsolete occupational coding system	socode and related crosswalks
oesxjob	Obsolete occupational coding system	socode and related crosswalks
oesxonet	Obsolete occupational coding system	socode and related crosswalks
oesxsoc	Obsolete occupational coding system	socode and related crosswalks
oesxsoc2000	Obsolete occupational coding system	socode and related crosswalks
sicxnaic	Obsolete industry coding system	naicscode and related crosswalks
soc2000xdot	Obsolete occupational coding system	socode and related crosswalks
soc2000xjob	Redundant; replace with generic occ to occ table	occxocc (non-standard)

Appendix C

Workforce Information Database, Version 2.6 - Deprecated Tables

Deprecated tables are tables that are no longer necessary, either because they refer to outdated data or classification systems, or are redundant, or for other reasons no longer fit into the WID. These tables will continue to be supported for the time being, allowing backward compatibility, but should not be used in any new software or system development.

Crosswalk Tables

Table Name	Reason for deprecating	Replacement table(s)
soc2kxcens2k	Redundant; replace with generic occ to occ table	occxocc (non-standard)
socxcens	Redundant; replace with generic occ to occ table	occxocc (non-standard)
socxcids	Redundant; replace with generic occ to occ table	occxocc (non-standard)
socxcip	Redundant; replace with generic occ to occ table	occxocc (non-standard)
socxdot	Obsolete occupational coding system	soccode and related crosswalks
socxjob	Redundant; replace with generic occ to occ table	occxocc (non-standard)
socxonet	Redundant; replace with generic occ to occ table	occxocc (non-standard)

Appendix D

Workforce Information Database, Version 2.6 - Changes from Version 2.5

New tables added in v2.6:

Table Name	Table Description
demographics	A new population demographics table structure that will handle the latest Census and ACS Data.
careerclust careerpaths	New tables of career clusters and career pathways, created in response to the need for more and better links between workforce and education information.
cpiplus itemcpi	An extended and enhanced version of the CPI table, plus related lookup table.
education experience training	New lookup tables for the new soccode education and training codes (see below “Changes to existing tables in v2.6”).

Changes to existing tables in v2.6:

Table Name	Changes
soccode	New fields were added to accommodate the latest education, experience, and training codes from BLS.
stfirms	In the Constraint Information section, the NAICCODE.NAICSCODE reference was changed to INDCODES.CODE reference.
matxnaic	In the Constraint Information section, NAICCODE.NAICSCODE reference to INDCODES.CODE, the field name to was changed to MATXINDCODE.
matxsoc	In the Constraint Information section, the reference to soccode was changed to reference the occcodes table.
stprogcd	The reference to the cipcode table was changed to reference the occcodes table. Also, the primary key was changed to include the codetype field.
cidsxcip clusxcip clusxsoc moxxsoc socxcens socxcids socxcip socxonet	All of these crosswalk tables were changed to include a codetype field, and a foreign key reference to the occcodes table, rather than to either soccode or soc2000. NOTE that this makes several crosswalk tables unnecessary, as the revised tables handle SOC2010, SOC2000, or both. See below for Deleted tables.

Tables deleted from v2.6:

Table Name	Reason
cidsxcip2000	New structure of cidsxcip allows for storage of both CIP2000 and CIP2010, making this table unnecessary.
moxxsoc2000	New structure of moxxsoc allows for storage of both SOC2000 and SOC2010, making this table unnecessary.
soc2000xcids	New structure of socxcids allows for storage of both SOC2000 and SOC2010, making this table unnecessary.

Appendix D

Workforce Information Database, Version 2.6 - Changes from Version 2.5

Table Name	Reason
soc2kxcip2k	New structure of socxcip allows for storage of both SOC2000 and SOC2010, as well as CIP2000 and CIP2010, making this table unnecessary.
soc2000xonet	New structure of socxonet allows for storage of both SOC2000 and SOC2010, making this table unnecessary.

Field Values added in v2.6

Field Name	Values Added	Comments
areatype	31 = MSA 2010 32 = Micropolitan Statistical Area 2010 33 = Metropolitan Division 2010 34 = Combined Statistical Area	New areas based on the 2010 Census
periodtype	36 = 3-year estimates 60 = 5-year estimates	Added to accommodate the ACS estimates
popsourc	3 = American Community Survey	Added to accommodate the ACS estimates
edcat	1 = Less than high school 2 = High school diploma or equivalent 3 = Some college, no degree 4 = Postsecondary non-degree award 5 = Associate's degree 6 = Bachelor's degree 7 = Master's degree 8 = Doctoral or professional degree N = Information not available	New occupational education required categories
expercat	0 = None 1 = Less than 1 year 2 = 1 to 5 years 3 = More than 5 years N = Information not available	New occupational experience required categories
trainingcat	0 = None 1 = Short-term on-the-job training 2 = Moderate-term on-the-job training 3 = Long-term on-the-job training 4 = Apprenticeship 5 = Internship/residency N = Information not available	New occupational training required categories
insttype	23 = Department of Defense	Added for the military separations listed in the supply table

Other changes from v2.5 to v2.6

- Addition of the list of deprecated tables (Appendix C; see also the Introduction section on Deprecation, page vi).
- Addition of the Changes from Version 2.5 as an Appendix
- Addition of a "message label" to let the user know that a table is new, has been revised, or has been deprecated.